

# APSAN BIJON



technology at work

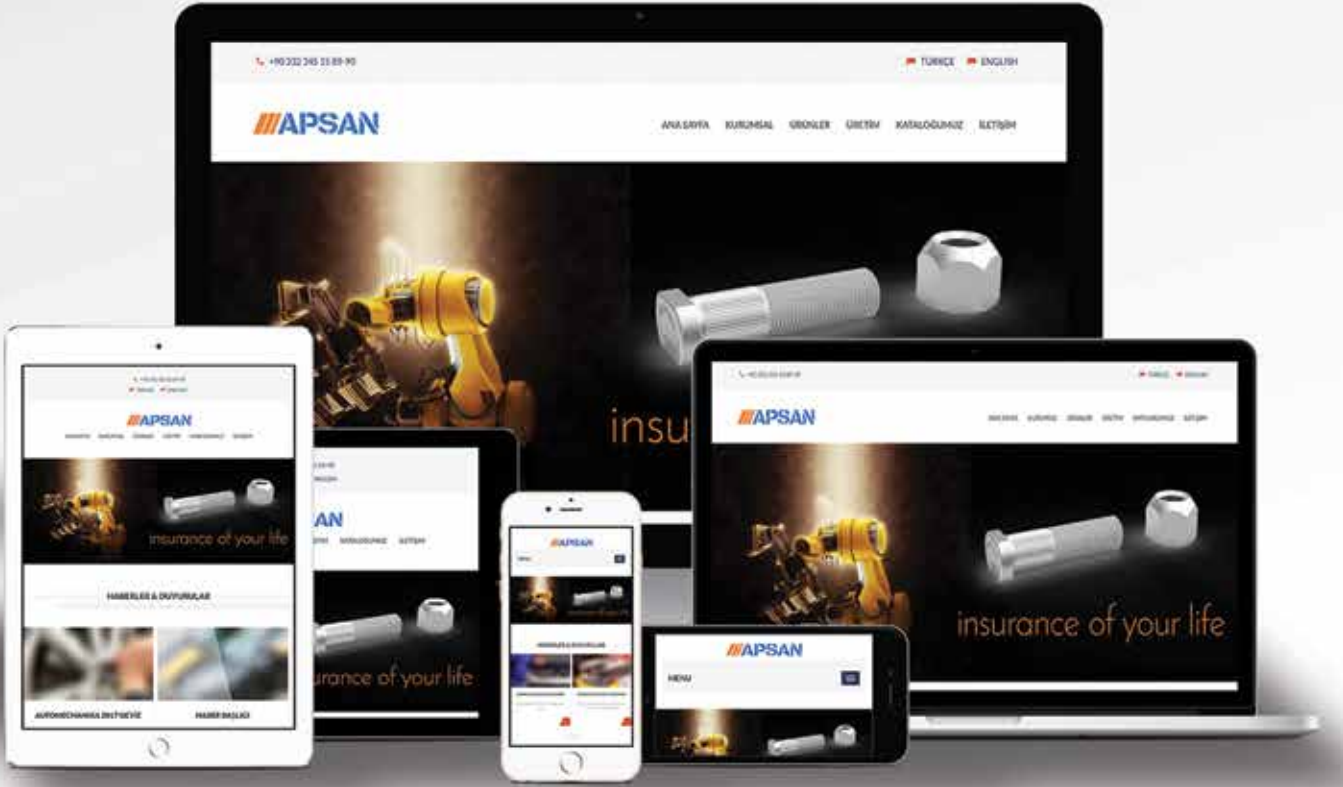
BIJON VE SOMUN KATALOĐU  
WHEEL BOLT & NUT CATALOGUE

2017

[www.apsanbijon.com](http://www.apsanbijon.com)



insurance of your life



[www.apsanbijon.com.tr](http://www.apsanbijon.com.tr)



# APSAN BİJON

## index

MERCEDES	06
MAN	20
NEOPLAN	26
CHRYSLER	28
BMC	30
VOLVO	32
IVECO	38
SCANIA	44
BPW	46
DAF	52
DORSE / TRAILER	53
İŞ MAKİNESİ / HEAVY DUTY MACHINES	53
FORD	54
RENAULT	56
ROR	62
SAF	63
MITSUBISHI	68
ISUZU	73
OTOKAR MAGIRUS	80
FAW	81
HINO	81
HOWO	82
KOMATSU	82
KAMAZ	83
MAZ	83
TIR DORSE / SEMI TRAILER	84
DİSK CİVATALARI / DISC BOLTS	88
YTE	89
DONG FENG	90
COBRA	90
TRAKTÖR / TRACTOR	91
FRUEHAUF	92
SOMUN / NUTS	94

Adres : Büsan 3 Özel Organize Sanayi Fevzi Çakmak Mah.  
10651 Sokak No:13 KARATAY / KONYA

Telefon : +90 332 345 15 89-90  
Fax : +90 332 345 15 24

[www.apsanbijon.com](http://www.apsanbijon.com)  
[info@apsanbijon.com](mailto:info@apsanbijon.com)



# TEKNOLOJİ İŞ BAŞINDA



# TECHNOLOGY AT WORK



# APSAN

*index*



APSAN WHEEL BOLT was founded in 1974, close to half a century it has left behind it has become one of the leading wheel bolt manufacturers in its sector for light and heavy vehicles.

With the experience of many years in the sector, Apsan Wheel Bolt constantly upgrades its market share thanks to its technological investments and the importance it attaches to the R&D work.

With a plant area of 2.700 m<sup>2</sup> and monthly production of 60 thousand wheel bolts, Apsan Wheel Bolt has trucks, trailers, buses, minibus groups, harvesters and agricultural machinery in its product portfolio. Apsan Wheel Bolt continues to add value to the country's economy by supplying 60% of its production to the domestic market and exporting 40% overseas.

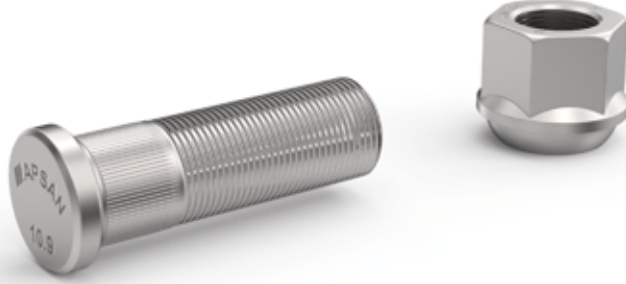
Apsan Wheel bolt is moving towards its goal with sure steps in line with its customer satisfaction, productivity, safety and productivity principles.

[www.apsanbijon.com](http://www.apsanbijon.com)



/ApsanBijon

# APSAN



APSAN BİJON 1974 yılında kurulmuştur, geride bıraktığı yarım asıra yakın bir zamanda hafif ve ağır vasıta için ürettiği bijonlarla sektöründe önde gelen bijon imalatçısı konumundadır.

Sektördeki uzun yılların verdiği tecrübe ile Apsan Bijon sürekli güncellediği teknolojik yatırımları ve AR-GE çalışmalarına verdiği önem sayesinde pazardaki payını sürekli yükseltmektedir.

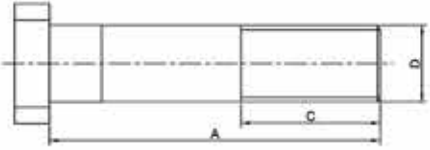
2.700 m2 lik fabrika alanı aylık 60 bin bijon üretme tesisi ile Apsan Bijon'un ürün portföyünde kamyon, treyler, otobüs, minibüs grupları, biçer döver ve tarım makineleri bijonları yer almaktadır. Üretimini %60'ını iç piyasaya %40'ını ise yurt dışına ihraç eden Apsan Bijon ülke ekonomisine değer katmaya devam etmektedir.

Apsan Bijon müşteri memnuniyeti, verimlilik, güvenlik ve üretkenlik ilkeleri doğrultusunda, emin adımlarla hedefine ilerlemektedir.

[www.apsanbijon.com](http://www.apsanbijon.com)

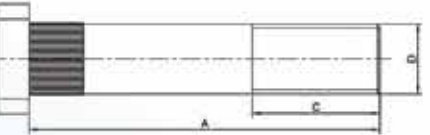
[www.apsanbijon.com](http://www.apsanbijon.com)

### MER-2530



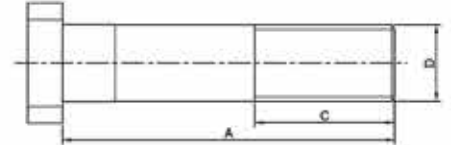
TEKNİK ÖZELLİKLER / TECHNICAL SPECIFICATION			
A(mm)	C (mm)	D (mm)	Kalite / Quality
77	38	22x1.5	10.9
Org. No		305 401 00 71 / 381 401 0171 S1 389 401 00 71 S1 / 327 401 02 71	
Poziyon/ Position		Arka / Rear	
Somun / Wheel Nut		SOM-0342 SOM - 0141	
Model		302	

### MER-2532



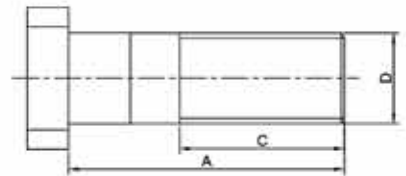
TEKNİK ÖZELLİKLER / TECHNICAL SPECIFICATION			
A(mm)	C (mm)	D (mm)	Kalite / Quality
92	40	22x1.5	10.9
Org. No			
Poziyon/ Position		Arka / Rear FREZELİ / FRAISED	
Somun / Wheel Nut		SOM - 0342 SOM - 0141	
Model		302	

### MER-2531



TEKNİK ÖZELLİKLER / TECHNICAL SPECIFICATION			
A(mm)	C (mm)	D (mm)	Kalite / Quality
92	40	22x1.5	10.9
Org. No		3274020471 / 3174020571 / 3814010371	
Poziyon/ Position		Arka / Rear	
Somun / Wheel Nut		SOM - 0342 SOM - 0141	
Model		302	

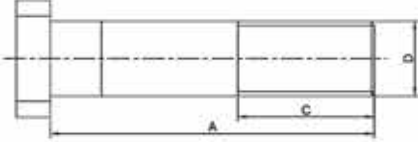
### MER-2533



TEKNİK ÖZELLİKLER / TECHNICAL SPECIFICATION			
A(mm)	C (mm)	D (mm)	Kalite / Quality
67	40	22x1.5	10.9
Org. No		338 401 50 71	
Poziyon/ Position		Ön / Front	
Somun / Wheel Nut		SOM-0342 SOM-0141	
Model		0 403	

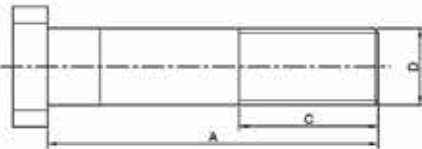


### MER-2534



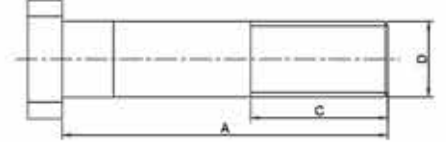
TEKNİK ÖZELLİKLER / TECHNICAL SPECIFICATION			
A(mm)	C (mm)	D (mm)	Kalite / Quality
82	40	22x1.5	10.9
Org. No	389 401 00 71		
Pozisyon/ Position	Arka / Rear		
Somun / Wheel Nut	SOM-0342 SOM-0141		
Model	0 403		

### MER-2536



TEKNİK ÖZELLİKLER / TECHNICAL SPECIFICATION			
A(mm)	C (mm)	D (mm)	Kalite / Quality
89	43	20x1.5	10.9
Org. No	327 402 03 71		
Pozisyon/ Position	Arka / Rear		
Somun / Wheel Nut	SOM-0330 SOM-130		
Model	352		

### MER-2535



TEKNİK ÖZELLİKLER / TECHNICAL SPECIFICATION			
A(mm)	C (mm)	D (mm)	Kalite / Quality
77	39	20x1.5	10.9
Org. No	3894010071		
Pozisyon/ Position	Ön / Front		
Somun / Wheel Nut	SOM-0330 SOM-0130		
Model	352		

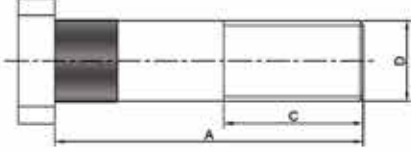
### MER-2537



TEKNİK ÖZELLİKLER / TECHNICAL SPECIFICATION			
A(mm)	C (mm)	D (mm)	Kalite / Quality
84	38	22x1.5	10.9
Org. No	3814011271		
Pozisyon/ Position	Ön / Front		
Somun / Wheel Nut	SOM-0342 SOM-0141		
Model	2517-2521-2524-2622-0305		

www.apsanbijon.com.tr

### MER-2538



#### TEKNİK ÖZELLİKLER / TECHNICAL SPECIFICATION

A(mm)	C (mm)	D (mm)	Kalite / Quality
84	38	22x1.5	10.9
Org. No			
Poziyon/ Position		FREZELİ / FRAISED	
Somun / Wheel Nut		SOM-0342 SOM-0141	
Model		2517-2521-2524-2622-0305 0 307 - 0 405	

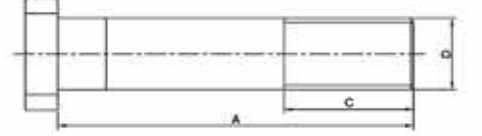
### MER-2540



#### TEKNİK ÖZELLİKLER / TECHNICAL SPECIFICATION

A(mm)	C (mm)	D (mm)	Kalite / Quality
110	40	22x1.5	10.9
Org. No			
Poziyon/ Position		FREZELİ / FRAISED	
Somun / Wheel Nut		SOM - 0342 SOM - 0141	
Model		2517-2521-2524-2622 NG SK	

### MER-2539



#### TEKNİK ÖZELLİKLER / TECHNICAL SPECIFICATION

A(mm)	C (mm)	D (mm)	Kalite / Quality
110	40	22x1.5	10.9
Org. No		3814010771	
Poziyon/ Position		Arka / Rear	
Somun / Wheel Nut		SOM - 0342 SOM - 0141	
Model		2517-2521-2524-2622	

### MER-2541



#### TEKNİK ÖZELLİKLER / TECHNICAL SPECIFICATION

A(mm)	C (mm)	D (mm)	Kalite / Quality
128	45	22x1.5	10.9
Org. No		381 401 1471	
Poziyon/ Position		Arka / Rear	
Somun / Wheel Nut		SOM-0342 - SOM-0141	
Model		2517-2521-ACTROS-ATEGO-AX-OR-CITARO-CONNECTO - ECONIC-0305-0303-SK-UNIMOG-VARIO	

### MER-2542



TEKNİK ÖZELLİKLER / TECHNICAL SPECIFICATION			
A(mm)	C (mm)	D (mm)	Kalite / Quality
128	45	22x1.5	10.9
Org. No			
Pozisyon/ Position	Arka / Rear		
Somun / Wheel Nut	SOM-0342 SOM-0141		
Model	2517-2521		

### MER-2544



TEKNİK ÖZELLİKLER / TECHNICAL SPECIFICATION			
A(mm)	C (mm)	D (mm)	Kalite / Quality
100	40	22x1.5	10.9
Org. No			
Pozisyon/ Position	FREZELİ / FRAISED		
Somun / Wheel Nut	SOM-0342 - SOM-0141		
Model	2517-2521-2524-2622-V6-V8 0303		

### MER-2543



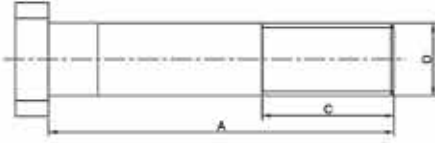
TEKNİK ÖZELLİKLER / TECHNICAL SPECIFICATION			
A(mm)	C (mm)	D (mm)	Kalite / Quality
100	40	22x1.5	10.9
Org. No	381 401 0571 - 381 401 0471 381 401 1171		
Pozisyon/ Position	Arka / Rear		
Somun / Wheel Nut	SOM-0342 SOM-0141		
Model	2517-2521-2524-2622-0 307 0 405 - V6 - V8 - 0 303		

### MER-2545



TEKNİK ÖZELLİKLER / TECHNICAL SPECIFICATION			
A(mm)	C (mm)	D (mm)	Kalite / Quality
77	38	22x1.5	10.9
Org. No	305 401 0071 / 381 401 0171 317 401 0371 / 327 401 0471		
Pozisyon/ Position	Ön / Front		
Somun / Wheel Nut	SOM-0342 SOM -0141		
Model	2517-2521-2524-2622 -V6-V8- 0303		

### MER-2547



#### TEKNİK ÖZELLİKLER / TECHNICAL SPECIFICATION

A(mm)	C (mm)	D (mm)	Kalite / Quality
105	40	22x1.5	10.9
Org. No		381 401 0671 - 355 401 0071	
Poziyon/ Position		Arka / Rear	
Somun / Wheel Nut		SOM-0342 SOM-0141	
Model		2517-2521-2524-2622-0 305- 0 307 - 0 405	

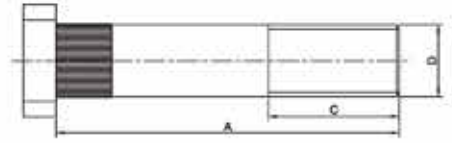
### MER-2549



#### TEKNİK ÖZELLİKLER / TECHNICAL SPECIFICATION

A(mm)	C (mm)	D (mm)	Kalite / Quality
70	42	22x1.5	10.9
Org. No		942 401 02 71	
Poziyon/ Position		Ön / Front	
Somun / Wheel Nut		SOM-0140	
Model		AXOR - ACTROS - ATEGO - ECONIC TRAVEGO	

### MER-2548



#### TEKNİK ÖZELLİKLER / TECHNICAL SPECIFICATION

A(mm)	C (mm)	D (mm)	Kalite / Quality
105	40	22x1.5	10.9
Org. No			
Poziyon/ Position		FREZELİ / FRAISED	
Somun / Wheel Nut		SOM-0342 SOM-0141	
Model		2517-2521-2524-2622-0 305 0 307 - 0 405	

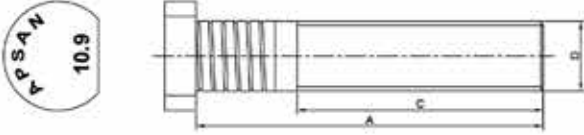
### MER-2550



#### TEKNİK ÖZELLİKLER / TECHNICAL SPECIFICATION

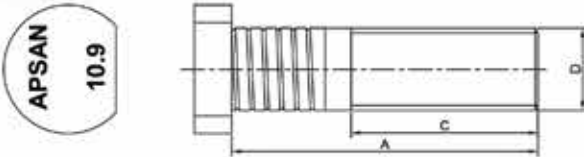
A(mm)	C (mm)	D (mm)	Kalite / Quality
92	60	22x1.5	10.9
Org. No		942 401 03 71	
Poziyon/ Position		Arka / Rear	
Somun / Wheel Nut		SOM-0141	
Model		AXOR - ACTROS -TRAVEGO	

### MER-2551



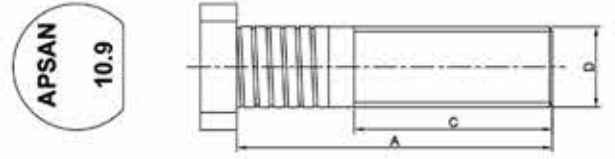
TEKNİK ÖZELLİKLER / TECHNICAL SPECIFICATION			
A(mm)	C (mm)	D (mm)	Kalite / Quality
110	78	22x1.5	10.9
Org. No	381 401 01 71		
Poziyon/ Position	Arka / Rear		
Somun / Wheel Nut	SOM-0141		
Model	AXOR - ACTROS		

### MER-2553



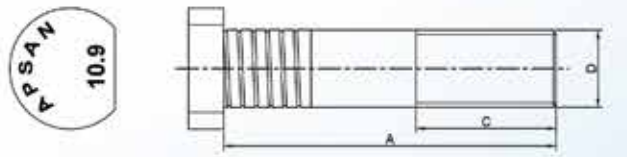
TEKNİK ÖZELLİKLER / TECHNICAL SPECIFICATION			
A(mm)	C (mm)	D (mm)	Kalite / Quality
85	50	22x1.5	10.9
Org. No			
Poziyon/ Position	Arka / Rear		
Somun / Wheel Nut	SOM-0140		
Model	ACTROS - AXOR		

### MER-2552



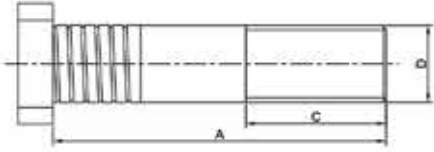
TEKNİK ÖZELLİKLER / TECHNICAL SPECIFICATION			
A(mm)	C (mm)	D (mm)	Kalite / Quality
80	55	22x1.5	10.9
Org. No	3894010071		
Poziyon/ Position	Arka / Rear		
Somun / Wheel Nut	SOM-0140		
Model	AXOR - ACTROS		

### MER-2559



TEKNİK ÖZELLİKLER / TECHNICAL SPECIFICATION			
A(mm)	C (mm)	D (mm)	Kalite / Quality
70	42.5	22x1.5	10.9
Org. No	0004012371		
Poziyon/ Position	Ön / Front		
Somun / Wheel Nut	SOM-0140		
Model	AXOR - ACTROS - TRAVEGO Y.M.		

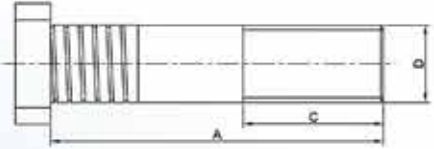
### MER-2560



#### TEKNİK ÖZELLİKLER / TECHNICAL SPECIFICATION

A(mm)	C (mm)	D (mm)	Kalite / Quality
92	56	22x1.5	10.9
Org. No		0004014171	
Pozisyon/ Position		Arka / Rear	
Somun / Wheel Nut		SOM-0140	
Model		AXOR - ACTROS TRAVEGO Y.M.	

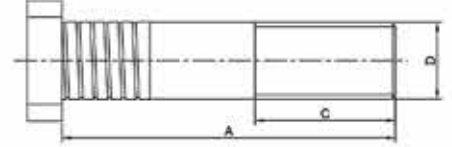
### MER-2562



#### TEKNİK ÖZELLİKLER / TECHNICAL SPECIFICATION

A(mm)	C (mm)	D (mm)	Kalite / Quality
80	49	22x1.5	10.9
Org. No		0004012471	
Pozisyon/ Position		Arka / Rear	
Somun / Wheel Nut		SOM-0140	
Model		AXOR - ACTROS - Y.M.	

### MER-2561



#### TEKNİK ÖZELLİKLER / TECHNICAL SPECIFICATION

A(mm)	C (mm)	D (mm)	Kalite / Quality
110	76	22x1.5	10.9
Org. No		0004013771	
Pozisyon/ Position		Ön / Front	
Somun / Wheel Nut		SOM-0140	
Model		AXOR - ACTROS Y.M.	

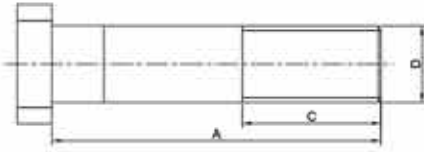
### MER-2563



#### TEKNİK ÖZELLİKLER / TECHNICAL SPECIFICATION

A(mm)	C (mm)	D (mm)	Kalite / Quality
85	51	22x1.5	10.9
Org. No		0004012971	
Pozisyon/ Position		Arka / Rear	
Somun / Wheel Nut		SOM-0140	
Model		AXOR - ACTROS - TRAVEGO Y.M.	

### MER-2571



#### TEKNİK ÖZELLİKLER / TECHNICAL SPECIFICATION

A(mm)	C (mm)	D (mm)	Kalite / Quality
66	38	20x1.5	10.9
Org. No		327 401 00 71 / 312 401 11 71 / 318 402 02 71	
Poziyon/ Position		Arka / Rear	
Somun / Wheel Nut		SOM-0130	
Model		ATEGO 1517	

### MER-2572



#### TEKNİK ÖZELLİKLER / TECHNICAL SPECIFICATION

A(mm)	C (mm)	D (mm)	Kalite / Quality
76	43	20x1.5	10.9
Org. No		352 402 00 71	
Poziyon/ Position		Arka / Rear	
Somun / Wheel Nut		SOM-0130	
Model		ATEGO 1517	

www.apsanbijon.com.tr

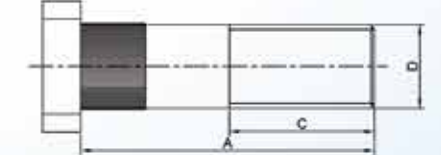
### MER-2573



#### TEKNİK ÖZELLİKLER / TECHNICAL SPECIFICATION

A(mm)	C (mm)	D (mm)	Kalite / Quality
100	45	22x1.5	10.9
Org. No			
Poziyon/ Position		Arka / Rear FREZELİ / FRAISED	
Somun / Wheel Nut		SOM-0130	
Model		ATEGO 1517	

### MER 2575



#### TEKNİK ÖZELLİKLER / TECHNICAL SPECIFICATION

A(mm)	C (mm)	D (mm)	Kalite / Quality
77	38	22x1.5	10.9
Org. No			
Poziyon/ Position		FREZELİ / FRAISED	
Somun / Wheel Nut		SOM - 0342 SOM - 0141	
Model		2517-2521-2524-2622-V8 - V6 - 0303	

### MER-2576



#### TEKNİK ÖZELLİKLER / TECHNICAL SPECIFICATION

A(mm)	C (mm)	D (mm)	Kalite / Quality
115	40	22x1.5	10.9
Org. No	381 401 0871		
Pozisyon/ Position	Arka / Rear		
Somun / Wheel Nut	SOM-0342 SOM-0141		
Model	2517-2521-2524-2622		

### MER-2578



#### TEKNİK ÖZELLİKLER / TECHNICAL SPECIFICATION

A(mm)	C (mm)	D (mm)	Kalite / Quality
95	40	22x1.5	10.9
Org. No	381 401 1371		
Pozisyon/ Position	Arka / Rear		
Somun / Wheel Nut	SOM-0342 SOM-0141		
Model			

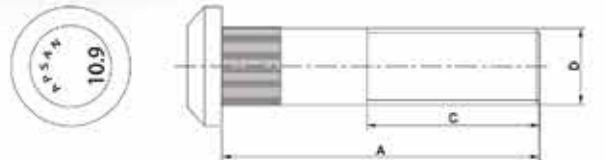
### MER-2577



#### TEKNİK ÖZELLİKLER / TECHNICAL SPECIFICATION

A(mm)	C (mm)	D (mm)	Kalite / Quality
95	40	22x1.5	10.9
Org. No	381 401 1171		
Pozisyon/ Position	Arka / Rear		
Somun / Wheel Nut	SOM-0342 SOM-0141		
Model	2517-2521-2524		

### MER-2578

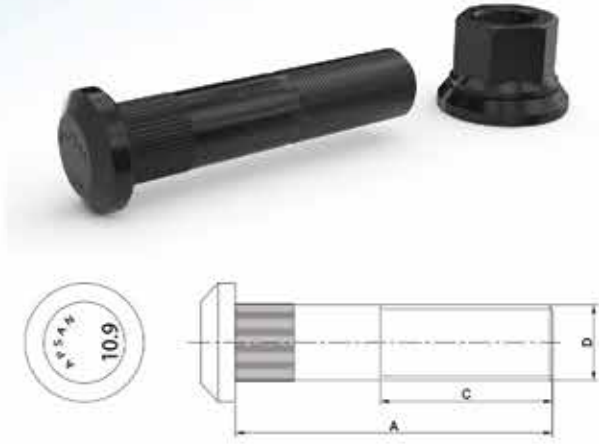


#### TEKNİK ÖZELLİKLER / TECHNICAL SPECIFICATION

A(mm)	C (mm)	D (mm)	Kalite / Quality
80	50	22x1.5	10.9
Org. No			
Pozisyon/ Position	Ön / Front		
Somun / Wheel Nut	SOM-0141		
Model	457		



### MER-2579



TEKNİK ÖZELLİKLER / TECHNICAL SPECIFICATION			
A(mm)	C (mm)	D (mm)	Kalite / Quality
98	50	22x1.5	10.9
Org. No			
Pozisyon/ Position		Arka / Rear	
Somun / Wheel Nut		SOM-0141	
Model		457	

### MER-2583



TEKNİK ÖZELLİKLER / TECHNICAL SPECIFICATION			
A(mm)	C (mm)	D (mm)	Kalite / Quality
73	38	18x1.5	10.9
Org. No		371 401 70 71	
Pozisyon/ Position		Ön / Front	
Somun / Wheel Nut		SOM-0320	
Model		MB 800	

www.apsanbjon.com.tr

### MER-2584



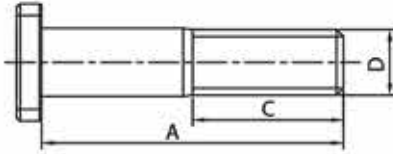
TEKNİK ÖZELLİKLER / TECHNICAL SPECIFICATION			
A(mm)	C (mm)	D (mm)	Kalite / Quality
86	50	18x1.5	10.9
Org. No		371 402 70 71	
Pozisyon/ Position		Arka / Rear	
Somun / Wheel Nut		SOM-0320	
Model		MB 800	

### MER-2590



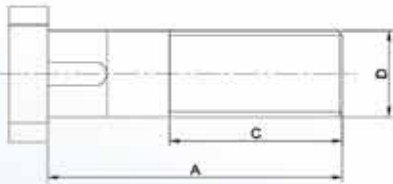
TEKNİK ÖZELLİKLER / TECHNICAL SPECIFICATION			
A(mm)	C (mm)	D (mm)	Kalite / Quality
50	30	14x1.5	10.9
Org. No		3094010271	
Pozisyon/ Position		Ön / Front	
Somun / Wheel Nut		SOM-0115	
Model		SPRINTER	

### MER-2591



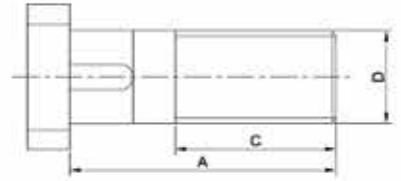
TEKNİK ÖZELLİKLER / TECHNICAL SPECIFICATION			
A(mm)	C (mm)	D (mm)	Kalite / Quality
60	32	14x1.5	10.9
Org. No	3094020271		
Pozisyon/ Position	Arka / Rear		
Somun / Wheel Nut	SOM-0115		
Model	SPRINTER		

### MER-2593



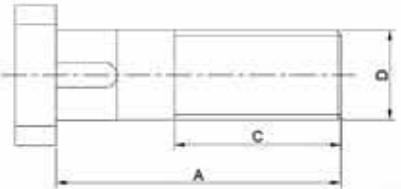
TEKNİK ÖZELLİKLER / TECHNICAL SPECIFICATION			
A(mm)	C (mm)	D (mm)	Kalite / Quality
75	44	22x1.5	10.9
Org. No	BQ297636		
Pozisyon/ Position			
Somun / Wheel Nut	SOM-0140		
Model	BLUMAQ		

### MER-2592



TEKNİK ÖZELLİKLER / TECHNICAL SPECIFICATION			
A(mm)	C (mm)	D (mm)	Kalite / Quality
63	38	2 2x1.5	10.9
Org. No	BQ297638		
Pozisyon/ Position			
Somun / Wheel Nut	SOM-0140		
Model	BLUMAQ		

### MER-2594



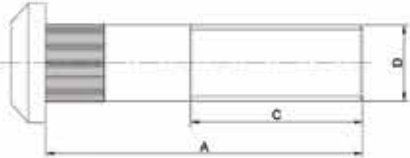
TEKNİK ÖZELLİKLER / TECHNICAL SPECIFICATION			
A(mm)	C (mm)	D (mm)	Kalite / Quality
70	41	22x1.5	10.9
Org. No	BQ297637		
Pozisyon/ Position			
Somun / Wheel Nut	SOM-0140		
Model	BLUMAQ		

### MER-2595



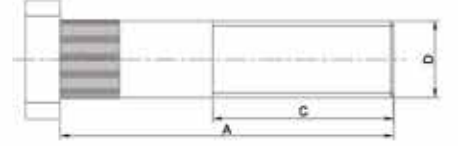
TEKNİK ÖZELLİKLER / TECHNICAL SPECIFICATION			
A(mm)	C (mm)	D (mm)	Kalite / Quality
90	45	22x1.5	10.9
Org. No		BQ297639	
Poziyon/ Position			
Somun / Wheel Nut		SOM-0140	
Model		BLUMAQ	

### MER-2597



TEKNİK ÖZELLİKLER / TECHNICAL SPECIFICATION			
A(mm)	C (mm)	D (mm)	Kalite / Quality
92	50	22x1.5	10.9
Org. No		BQ3152659	
Poziyon/ Position		Arka / Rear	
Somun / Wheel Nut		SOM-0140	
Model			

### MER-2596



TEKNİK ÖZELLİKLER / TECHNICAL SPECIFICATION			
A(mm)	C (mm)	D (mm)	Kalite / Quality
110	50	22x1.5	10.9
Org. No		BQ304486	
Poziyon/ Position			
Somun / Wheel Nut		SOM-0140	
Model		BLUMAQ	

### MER-2598



TEKNİK ÖZELLİKLER / TECHNICAL SPECIFICATION			
A(mm)	C (mm)	D (mm)	Kalite / Quality
85	50	22x1.5	10.9
Org. No		BQ103236486	
Poziyon/ Position		Arka / Rear	
Somun / Wheel Nut		SOM-0140	
Model		BLUMAQ	

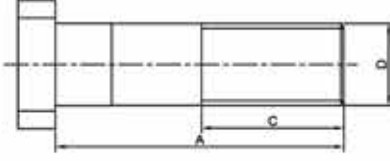
**APSAN**



**insurance of your life**



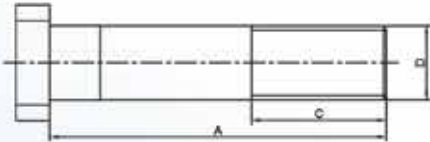
## MN-3150



### TEKNİK ÖZELLİKLER / TECHNICAL SPECIFICATION

A(mm)	C (mm)	D (mm)	Kalite / Quality
77	38	22x1.5	10.9
Org. No		81 45501 0134 / 81 45501 0076	
Poziyon/ Position		Ön / Front	
Somun / Wheel Nut		SOM-0342 SOM-0141	
Model		F2000 - F90	

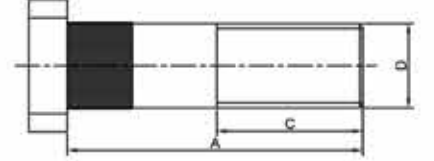
## MN-3152



### TEKNİK ÖZELLİKLER / TECHNICAL SPECIFICATION

A(mm)	C (mm)	D (mm)	Kalite / Quality
100	40	22x1.5	10.9
Org. No		81 45501 0080 / 81 45501 0072 / 81 45501 0059 / 81 45501 0139	
Poziyon/ Position		Arka / Rear	
Somun / Wheel Nut		SOM-0342 SOM-0141	
Model		F2000 - F90	

## MN-3151



### TEKNİK ÖZELLİKLER / TECHNICAL SPECIFICATION

A(mm)	C (mm)	D (mm)	Kalite / Quality
77	38	M22x1.5	10.9
Org. No			
Poziyon/ Position		Ön / Front	
Somun / Wheel Nut		SOM-0342 SOM-0140	
Model		F2000 - F90	

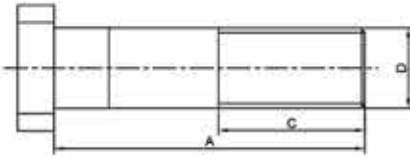
## MN-3153



### TEKNİK ÖZELLİKLER / TECHNICAL SPECIFICATION

A(mm)	C (mm)	D (mm)	Kalite / Quality
100	40	M22x1.5	10.9
Org. No			
Poziyon/ Position		Arka / Rear FREZELİ / FRAISED	
Somun / Wheel Nut		SOM-0342 S*M-0141	
Model		F2000 - F90	

## MN-3154



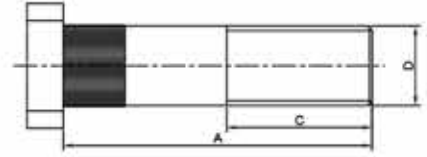
TEKNİK ÖZELLİKLER / TECHNICAL SPECIFICATION			
A(mm)	C (mm)	D (mm)	Kalite / Quality
85	40	M22x1.5	10.9
Org. No	81 45501 0085		
Pozisyon/ Position	Ön / Front		
Somun / Wheel Nut	SOM-0342 SOM-0141		
Model	F2000 - F90		

## MN-3156



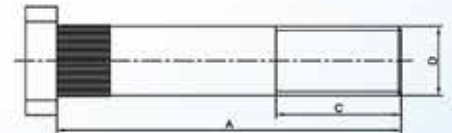
TEKNİK ÖZELLİKLER / TECHNICAL SPECIFICATION			
A(mm)	C (mm)	D (mm)	Kalite / Quality
110	40	M22x1.5	10.9
Org. No	81 45501 0082 / 81 45501 01 41 / 81 45501 0067		
Pozisyon/ Position	Arka / Rear		
Somun / Wheel Nut	SOM-0342 - SOM-0141		
Model	F2000 / F90		

## MN-3155



TEKNİK ÖZELLİKLER / TECHNICAL SPECIFICATION			
A(mm)	C (mm)	D (mm)	Kalite / Quality
85	40	M22x1.5	10.9
Org. No	81 45501 0085		
Pozisyon/ Position	Ön / Front		
Somun / Wheel Nut	SOM-0342 SOM-0141		
Model	F2000 - F90		

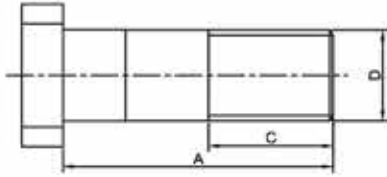
## MN-3157



TEKNİK ÖZELLİKLER / TECHNICAL SPECIFICATION			
A(mm)	C (mm)	D (mm)	Kalite / Quality
110	40	M22x1.5	10.9
Org. No	81 45501 0082 / 81 45501 01 41 / 81 45501 0067		
Pozisyon/ Position	Arka / Rear FREZELİ / FRAISED		
Somun / Wheel Nut	SOM-0342 - SOM*0141		
Model	F2000 - F90		

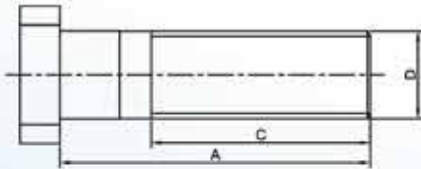
www.apsanbijon.com.tr

## MN-3160



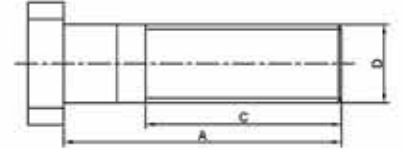
TEKNİK ÖZELLİKLER / TECHNICAL SPECIFICATION			
A(mm)	C (mm)	D (mm)	Kalite / Quality
65	30	M22x1.5	10.9
Org. No	81 45501 0132		
Poziyon/ Position	Ön / Front		
Somun / Wheel Nut	SOM-0144 SOM-0140		
Model	FORTUNA		

## MN-3162



TEKNİK ÖZELLİKLER / TECHNICAL SPECIFICATION			
A(mm)	C (mm)	D (mm)	Kalite / Quality
78	55	M22x1.5	10.9
Org. No			
Poziyon/ Position	Arka / Rear		
Somun / Wheel Nut	SOM-0140		
Model	TGA		

## MN-3161



TEKNİK ÖZELLİKLER / TECHNICAL SPECIFICATION			
A(mm)	C (mm)	D (mm)	Kalite / Quality
78	55	M22x1.5	10.9
Org. No	81 45501 0765		
Poziyon/ Position	Arka / Rear		
Somun / Wheel Nut	SOM-0145 SOM-0140		
Model	FORTUNA		

## MN-3163

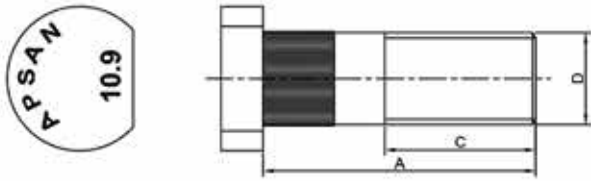


TEKNİK ÖZELLİKLER / TECHNICAL SPECIFICATION			
A(mm)	C (mm)	D (mm)	Kalite / Quality
110	38	M22x1.5	10.9
Org. No	81 45501 0176		
Poziyon/ Position	Arka / Rear		
Somun / Wheel Nut	SOM-0141		
Model	TGA		

www.apsanbjon.com.tr

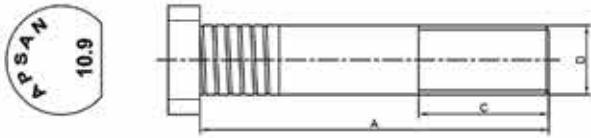


## MN-3164



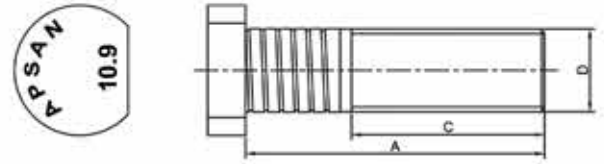
TEKNİK ÖZELLİKLER / TECHNICAL SPECIFICATION			
A(mm)	C (mm)	D (mm)	Kalite / Quality
65	36	M22x1.5	10.9
Org. No	81 45501 29		
Pozisyon/ Position	Arka / Rear		
Somun / Wheel Nut	AS001 / AS020		
Model	NEOPLAN		

## MN-3166



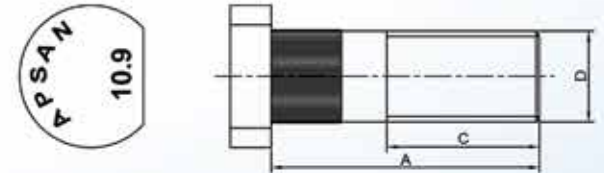
TEKNİK ÖZELLİKLER / TECHNICAL SPECIFICATION			
A(mm)	C (mm)	D (mm)	Kalite / Quality
110	41	M22x1.5	10.9
Org. No	81 45501 0176		
Pozisyon/ Position	Arka / Rear		
Somun / Wheel Nut	SOM-0141		
Model	T.G.S. TGA		

## MN-3165



TEKNİK ÖZELLİKLER / TECHNICAL SPECIFICATION			
A(mm)	C (mm)	D (mm)	Kalite / Quality
79	50	M22x1.5	10.9
Org. No	85 45501 0174		
Pozisyon/ Position	Ön / Front		
Somun / Wheel Nut	SOM-0140		
Model	T.G.S. TGA		

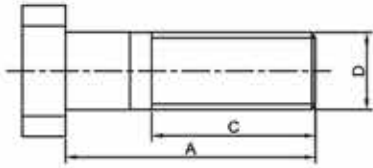
## MN-3167



TEKNİK ÖZELLİKLER / TECHNICAL SPECIFICATION			
A(mm)	C (mm)	D (mm)	Kalite / Quality
78	45	M22x1.5	10.9
Org. No			
Pozisyon/ Position	Ön / Front FREZELİ / FRAISED		
Somun / Wheel Nut	SOM-0140		
Model	TGA		

www.apsanbjon.com.tr

## MN-3169



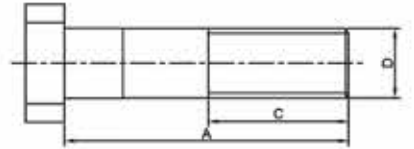
TEKNİK ÖZELLİKLER / TECHNICAL SPECIFICATION			
A(mm)	C (mm)	D (mm)	Kalite / Quality
58	38	M18x1.5	10.9
Org. No	81 45501 0116		
Pozisyon/ Position	Ön / Front		
Somun / Wheel Nut	SOM-0120		
Model	12.153		

## MN-3171



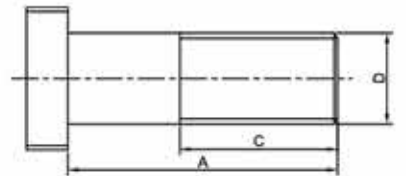
TEKNİK ÖZELLİKLER / TECHNICAL SPECIFICATION			
A(mm)	C (mm)	D (mm)	Kalite / Quality
90	45	M20x1.5	10.9
Org. No			
Pozisyon/ Position	Arka / Rear		
Somun / Wheel Nut	SOM-0130		
Model	12.153		

## MN-3170



TEKNİK ÖZELLİKLER / TECHNICAL SPECIFICATION			
A(mm)	C (mm)	D (mm)	Kalite / Quality
73	36	M18x1.5	10.9
Org. No	81 45501 0123		
Pozisyon/ Position	Arka / Rear		
Somun / Wheel Nut	SOM-0120		
Model	13.153		

## MN-3191



TEKNİK ÖZELLİKLER / TECHNICAL SPECIFICATION			
A(mm)	C (mm)	D (mm)	Kalite / Quality
65	38	M18X2	10.9
Org. No	612112451		
Pozisyon/ Position	--		
Somun / Wheel Nut	SOM-0322		
Model			

## MN-3192



### TEKNİK ÖZELLİKLER / TECHNICAL SPECIFICATION

A(mm)	C (mm)	D (mm)	Kalite / Quality
110	50	M18x2	10.9
Org. No	81 45422 0009 / 81454220040 / 3044020270 / 3154020070 / 3874010270 / 0140962 / 0228634		
Poziyon/ Position	--		
Somun / Wheel Nut	SOM-0322		
Model			

## MN-3195



### TEKNİK ÖZELLİKLER / TECHNICAL SPECIFICATION

A(mm)	C (mm)	D (mm)	Kalite / Quality
80	50	M18X2	10.9
Org. No	659112452		
Poziyon/ Position	--		
Somun / Wheel Nut	SOM-0322		
Model			

## MN-3194



### TEKNİK ÖZELLİKLER / TECHNICAL SPECIFICATION

A(mm)	C (mm)	D (mm)	Kalite / Quality
125	50	M18x2	10.9
Org. No	659112456 / 81454220023 / 81454220037 / 3154020170 / 3464025070 / 0250702100 / 0250704400		
Poziyon/ Position			
Somun / Wheel Nut	SOM-0322		
Model			

## MN-3196



### TEKNİK ÖZELLİKLER / TECHNICAL SPECIFICATION

A(mm)	C (mm)	D (mm)	Kalite / Quality
100	50	M18x2	10.9
Org. No	3154020270 / 3874020070 / 81454220036 / 81454220024 / 0250702500 / 659112454 / 0230339		
Poziyon/ Position	Ön / Front		
Somun / Wheel Nut	SOM-0322		
Model			

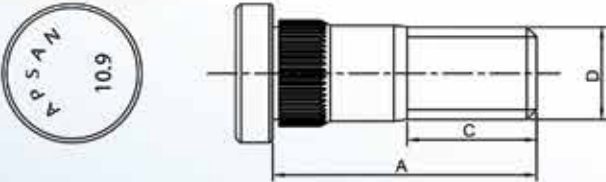
### MN-3197



#### TEKNİK ÖZELLİKLER / TECHNICAL SPECIFICATION

A(mm)	C (mm)	D (mm)	Kalite / Quality
140	50	M18x2	10.9
Org. No		0250702300 / 0257704500 / 81454220027 / 3874020570	
Pozisyon/ Position		Ön / Front	
Somun / Wheel Nut		SOM-0322	
Model			

### NEP-1102



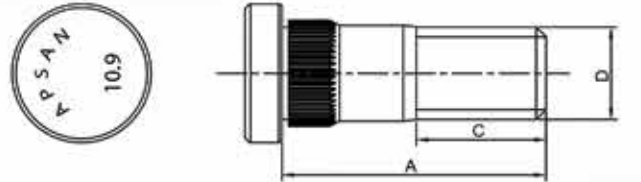
#### TEKNİK ÖZELLİKLER / TECHNICAL SPECIFICATION

A(mm)	C (mm)	D (mm)	Kalite / Quality
66	37	M22x1.5	10.9
Org. No			
Pozisyon/ Position		Ön / Front	
Somun / Wheel Nut		SOM-0140	
Model		NEOPLAN	



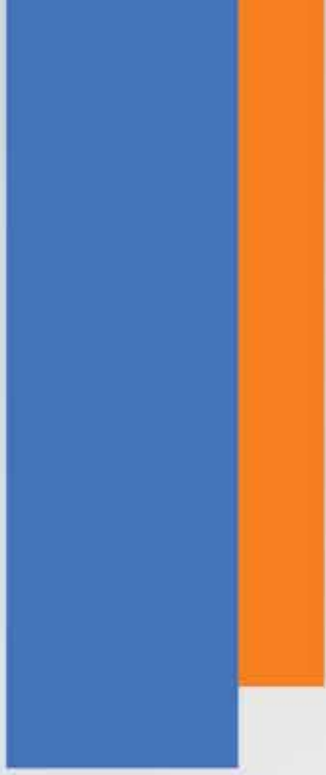
www.apsanbjon.com.tr

### NEP-1103

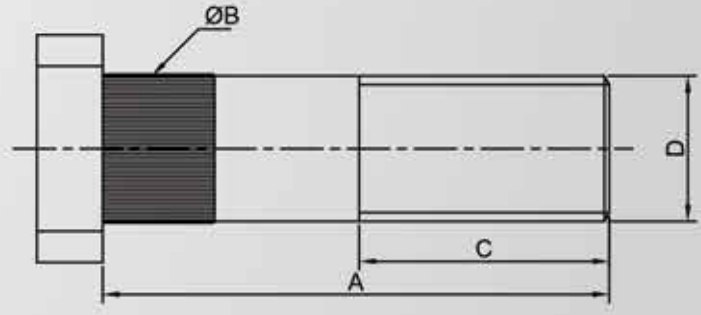


#### TEKNİK ÖZELLİKLER / TECHNICAL SPECIFICATION

A(mm)	C (mm)	D (mm)	Kalite / Quality
83	49	M22x1.5	10.9
Org. No		70156200	
Pozisyon/ Position		Arka / Rear	
Somun / Wheel Nut		SOM-0140	
Model		NEOPLAN	

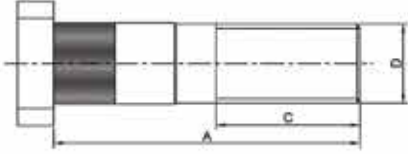


APSAN  
10.9



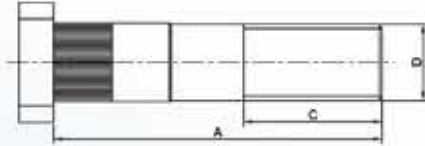
 **APSAN**

### CHR-5125



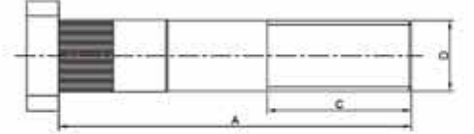
TEKNİK ÖZELLİKLER / TECHNICAL SPECIFICATION			
A(mm)	C (mm)	D (mm)	Kalite / Quality
85	40	M22x1.5	10.9
Org. No	3416 T		
Pozisyon/ Position	Ön / Front		
Somun / Wheel Nut	SOM-0241		
Model	AS 900		

### CHR-5128



TEKNİK ÖZELLİKLER / TECHNICAL SPECIFICATION			
A(mm)	C (mm)	D (mm)	Kalite / Quality
95	40	M22x1.5	10.9
Org. No	25033 - T		
Pozisyon/ Position	Ön / Front		
Somun / Wheel Nut	SOM-0240		
Model	AS 950		

### CHR-5126



TEKNİK ÖZELLİKLER / TECHNICAL SPECIFICATION			
A(mm)	C (mm)	D (mm)	Kalite / Quality
110	45	M22x1.5	10.9
Org. No	3417 T		
Pozisyon/ Position	Arka / Rear		
Somun / Wheel Nut	SOM-0241		
Model	AS 900		

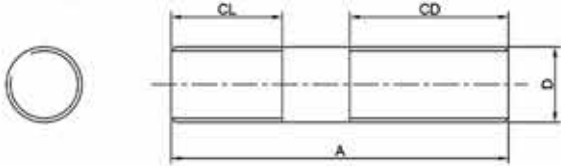
### CHR-5129



TEKNİK ÖZELLİKLER / TECHNICAL SPECIFICATION			
A(mm)	C (mm)	D (mm)	Kalite / Quality
115	55	M22x1.5	10.9
Org. No	15034 - T		
Pozisyon/ Position	Arka / Rear		
Somun / Wheel Nut	SOM-0242		
Model	AS 950		

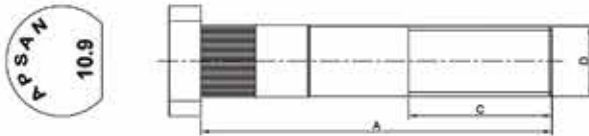
www.apsanbion.com.tr

### CHR-5131



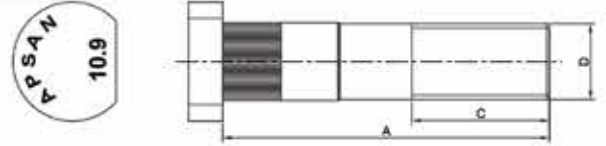
TEKNİK ÖZELLİKLER / TECHNICAL SPECIFICATION			
A(mm)	C (mm)	D (mm)	Kalite / Quality
85	40	W3/4"x10	10.9
Org. No			
Poziyon/ Position	Arka / Rear		
Somun / Wheel Nut	SOM-0430		
Model	DODGE SAPLAMASI		

### CHR-5133



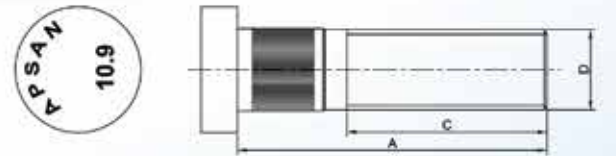
TEKNİK ÖZELLİKLER / TECHNICAL SPECIFICATION			
A(mm)	C (mm)	D (mm)	Kalite / Quality
123	45	M22x1.5	10.9
Org. No	15034 T		
Poziyon/ Position	Arka / Rear		
Somun / Wheel Nut	SOM-0141		
Model	AS 26 200 - AS 26 235 - AS 32 260		

### CHR-5132



TEKNİK ÖZELLİKLER / TECHNICAL SPECIFICATION			
A(mm)	C (mm)	D (mm)	Kalite / Quality
95	40	22x1.5	10.9
Org. No	15033 T		
Poziyon/ Position	Ön / Front		
Somun / Wheel Nut	SOM-0141		
Model	AS 26 200 - AS 26 235 - AS 32 260		

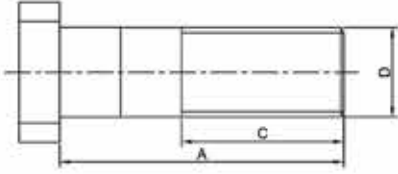
### CHR-5134



TEKNİK ÖZELLİKLER / TECHNICAL SPECIFICATION			
A(mm)	C (mm)	D (mm)	Kalite / Quality
85	45	M22x1.5	10.9
Org. No	21022167		
Poziyon/ Position	Arka / Rear		
Somun / Wheel Nut	SOM-0141		
Model	AS 26 200 - AS 26 235 - AS 32 260		

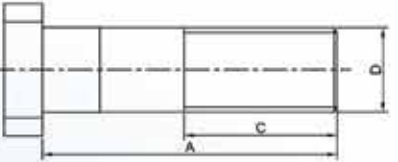
www.apsanbijon.com.tr

## FT-4125-L-R



TEKNİK ÖZELLİKLER / TECHNICAL SPECIFICATION			
A(mm)	C (mm)	D (mm)	Kalite / Quality
70	40	W7/8"X14	10.9
Org. No			
Poziyon/ Position	Arka / Rear		
Somun / Wheel Nut	SOM-0270-L-R		
Model	105.8		

## FT-4127-L-R



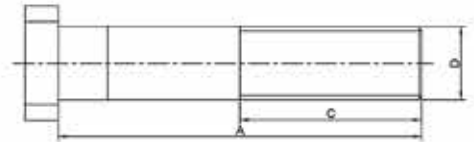
TEKNİK ÖZELLİKLER / TECHNICAL SPECIFICATION			
A(mm)	C (mm)	D (mm)	Kalite / Quality
77	40	W7/8"X14	10.9
Org. No	K5C 2150 / K5C 1051		
Poziyon/ Position	Arka / Rear		
Somun / Wheel Nut	SOM-0270-L-R		
Model	162.25		

## FT-4126-L-R



TEKNİK ÖZELLİKLER / TECHNICAL SPECIFICATION			
A(mm)	C (mm)	D (mm)	Kalite / Quality
90	50	W7/8"X14	10.9
Org. No			
Poziyon/ Position	Arka / Rear		
Somun / Wheel Nut	SOM-0270-L-R		
Model	105.B		

## FT-4128-L-R



TEKNİK ÖZELLİKLER / TECHNICAL SPECIFICATION			
A(mm)	C (mm)	D (mm)	Kalite / Quality
110	55	W7/8"X14	10.9
Org. No	K5C 2150 / K5C2151		
Poziyon/ Position	Arka / Rear		
Somun / Wheel Nut	SOM-0271-L-R		
Model	162.25		

www.apsanbjon.com.tr

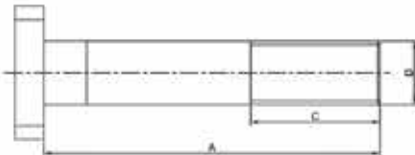


## FT-4129-L-R



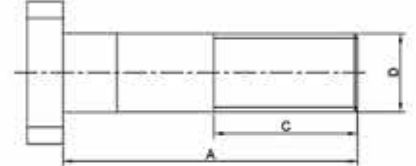
TEKNİK ÖZELLİKLER / TECHNICAL SPECIFICATION			
A(mm)	C (mm)	D (mm)	Kalite / Quality
110	55	W7/8"X14	10.9
Org. No			
Poziyon/ Position	Arka / Rear		
Somun / Wheel Nut	SOM-0271-L-R		
Model			

## FT-4135



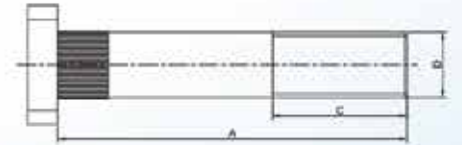
TEKNİK ÖZELLİKLER / TECHNICAL SPECIFICATION			
A(mm)	C (mm)	D (mm)	Kalite / Quality
117	45	M22x1.5	10.9
Org. No	7K 60177		
Poziyon/ Position	Arka / Rear		
Somun / Wheel Nut	SOM-0143		
Model	200.26 - 220.26 PROFESSIONAL		

## FT-4134



TEKNİK ÖZELLİKLER / TECHNICAL SPECIFICATION			
A(mm)	C (mm)	D (mm)	Kalite / Quality
102	40	M22x1.5	10.9
Org. No	7K 60 192		
Poziyon/ Position	Ön / Front		
Somun / Wheel Nut	SOM-0143		
Model	200.26 220.26 PROFESYONEL		

## FT-4136



TEKNİK ÖZELLİKLER / TECHNICAL SPECIFICATION			
A(mm)	C (mm)	D (mm)	Kalite / Quality
117	45	M22x1.5	10.9
Org. No			
Poziyon/ Position	Arka / Rear		
Somun / Wheel Nut	SOM-0143		
Model	200.26 - 220.26 - PROFESSIONAL		

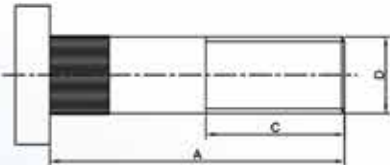
www.apsanbijon.com.tr

### FT-4137



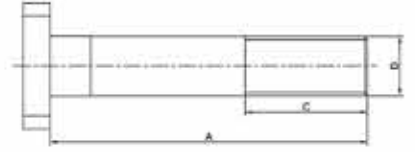
TEKNİK ÖZELLİKLER / TECHNICAL SPECIFICATION			
A(mm)	C (mm)	D (mm)	Kalite / Quality
117	45	M24x1.5	10.9
Org. No			
Poziyon/ Position		Arka / Rear	
Somun / Wheel Nut		SOM-0160	
Model		200.26 - 220.26 PROFESSIONAL	

### VL-9125



TEKNİK ÖZELLİKLER / TECHNICAL SPECIFICATION			
A(mm)	C (mm)	D (mm)	Kalite / Quality
85	40	W7/8"x14	10.9
Org. No		1573081	
Poziyon/ Position		Ön / Front	
Somun / Wheel Nut		SOM-0180 SOM-0179	
Model		VOLVO FH	

### FT-4138



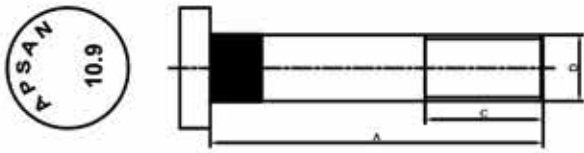
TEKNİK ÖZELLİKLER / TECHNICAL SPECIFICATION			
A(mm)	C (mm)	D (mm)	Kalite / Quality
132	45	M22x1.5	10.9
Org. No			
Poziyon/ Position		Arka / Rear	
Somun / Wheel Nut		SOM-0143	
Model		220.26 - 270 - PROFESSIONAL	

### VL-9126



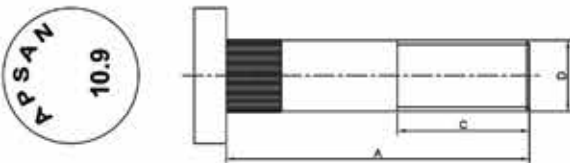
TEKNİK ÖZELLİKLER / TECHNICAL SPECIFICATION			
A(mm)	C (mm)	D (mm)	Kalite / Quality
102	45	W7/8"x14	10.9
Org. No		1573082	
Poziyon/ Position		Arka / Rear	
Somun / Wheel Nut		SOM-0180 SOM-0179	
Model		VOLVO FH	

## VL-9127



TEKNİK ÖZELLİKLER / TECHNICAL SPECIFICATION			
A(mm)	C (mm)	D (mm)	Kalite / Quality
110	39	W7/8"x14	10.9
Org. No		157308311589010	
Poziyon/ Position		Arka / Rear	
Somun / Wheel Nut		SOM-0180-SOM-0179	
Model			

## VL-9129



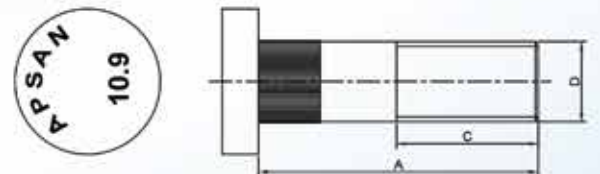
TEKNİK ÖZELLİKLER / TECHNICAL SPECIFICATION			
A(mm)	C (mm)	D (mm)	Kalite / Quality
94	41	W7/8"x14	10.9
Org. No		3963997	
Poziyon/ Position		Arka / Rear	
Somun / Wheel Nut		SOM-0180 SOM-0179	
Model			

## VL-9128



TEKNİK ÖZELLİKLER / TECHNICAL SPECIFICATION			
A(mm)	C (mm)	D (mm)	Kalite / Quality
117	45	W7/8"x14	10.9
Org. No		1589008-8	
Poziyon/ Position		Arka / Rear	
Somun / Wheel Nut		SOM-0180 SOM-0179	
Model			

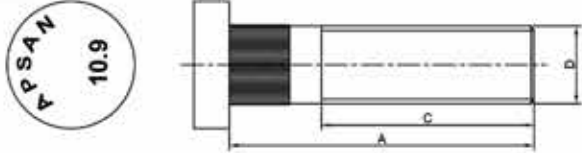
## VL-9130



TEKNİK ÖZELLİKLER / TECHNICAL SPECIFICATION			
A(mm)	C (mm)	D (mm)	Kalite / Quality
77	39	W7/8"x14	10.9
Org. No		31125931 3118981	
Poziyon/ Position		Arka / Rear	
Somun / Wheel Nut		SOM-0180 SOM-0179	
Model		F10 F10/260;F10 / 280 / 300 / 320	

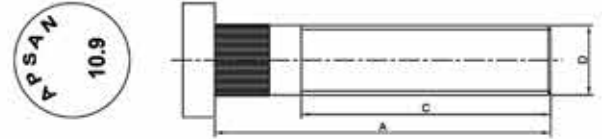
www.apsanbjon.com.tr

## VL-9137



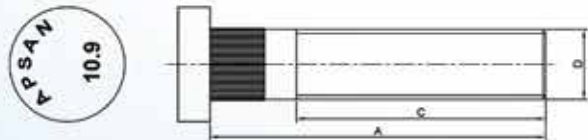
TEKNİK ÖZELLİKLER / TECHNICAL SPECIFICATION			
A(mm)	C (mm)	D (mm)	Kalite / Quality
88	60	M22x1.5	10.9
Org. No	20515515		
Pozisyon/ Position	Ön / Front		
Somun / Wheel Nut	SOM-0141		
Model	FM		

## VL-9138



TEKNİK ÖZELLİKLER / TECHNICAL SPECIFICATION			
A(mm)	C (mm)	D (mm)	Kalite / Quality
105	77	M22x1.5	10.9
Org. No	20515519		
Pozisyon/ Position	Arka / Rear		
Somun / Wheel Nut	SOM-0141		
Model	FM		

## VL-9139



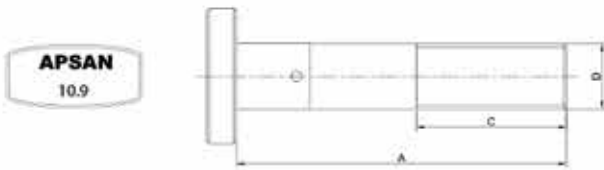
TEKNİK ÖZELLİKLER / TECHNICAL SPECIFICATION			
A(mm)	C (mm)	D (mm)	Kalite / Quality
114	86	M22x1.5	10.9
Org. No	20524942		
Pozisyon/ Position	Arka / Rear		
Somun / Wheel Nut	SOM-0141		
Model	FM		

## VL-9160



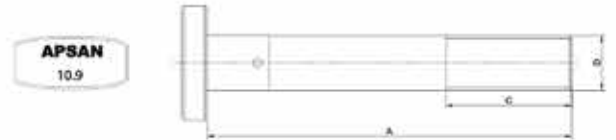
TEKNİK ÖZELLİKLER / TECHNICAL SPECIFICATION			
A(mm)	C (mm)	D (mm)	Kalite / Quality
65	38	M20x2	10.9
Org. No	659112500 / 3174020170 / 34640115270 / 6244010270 / 0293493/ 362164 / 0250700		
Pozisyon/ Position	Ön / Front		
Somun / Wheel Nut	SOM-0333		
Model			

## VL-9161



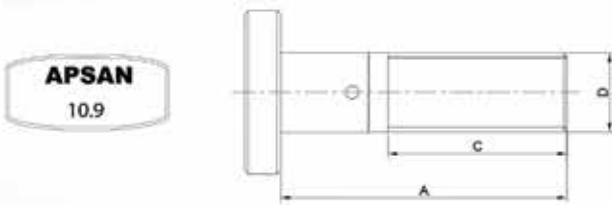
TEKNİK ÖZELLİKLER / TECHNICAL SPECIFICATION			
A(mm)	C (mm)	D (mm)	Kalite / Quality
110	50	M20x2	10.9
Org. No		659 112 501	
Poziyon/ Position		Arka / Rear	
Somun / Wheel Nut		SOM-0333	
Model			

## VL-9163



TEKNİK ÖZELLİKLER / TECHNICAL SPECIFICATION			
A(mm)	C (mm)	D (mm)	Kalite / Quality
145	50	M20x2	10.9
Org. No		659 112 614	
Poziyon/ Position		Arka / Rear	
Somun / Wheel Nut		SOM-0333	
Model			

## VL-9164



TEKNİK ÖZELLİKLER / TECHNICAL SPECIFICATION			
A(mm)	C (mm)	D (mm)	Kalite / Quality
80	50	M20x2	10.9
Org. No		659112509 / 3954010070 / 814542246	
Poziyon/ Position		Arka / Rear	
Somun / Wheel Nut		SOM-0333	
Model			

## VL-9165



TEKNİK ÖZELLİKLER / TECHNICAL SPECIFICATION			
A(mm)	C (mm)	D (mm)	Kalite / Quality
100	50	M20x2	10.9
Org. No		659112611 / 272740 / 0250708600 / 0288799	
Poziyon/ Position		Arka / Rear	
Somun / Wheel Nut		SOM-0333	
Model			

## VL-9166



APSAN  
10.9

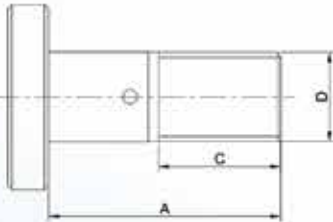


TEKNİK ÖZELLİKLER / TECHNICAL SPECIFICATION			
A(mm)	C (mm)	D (mm)	Kalite / Quality
125	50	M20x2	10.9
Org. No	659 112 503		
Poziyon/ Position	Arka / Rear		
Somun / Wheel Nut	SOM-0333		
Model			

## VL-9168



APSAN  
10.9



TEKNİK ÖZELLİKLER / TECHNICAL SPECIFICATION			
A(mm)	C (mm)	D (mm)	Kalite / Quality
57	30	M20x2	10.9
Org. No	0250708900 / 6204010070 / 0338883 / 1588406 / 659112616		
Poziyon/ Position	Ön / Front		
Somun / Wheel Nut	SOM-0333		
Model			

## VL-9167



APSAN  
10.9

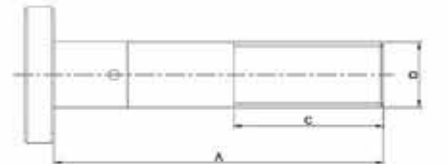


TEKNİK ÖZELLİKLER / TECHNICAL SPECIFICATION			
A(mm)	C (mm)	D (mm)	Kalite / Quality
115	52	M20x2	10.9
Org. No	0250703700 / 0250703200 / 814542260 S1 / 6204010170 / 0289535 / 1608293 / 659112612		
Poziyon/ Position	Arka / Rear		
Somun / Wheel Nut	SOM-0333		
Model			

## VL-9169



APSAN  
10.9



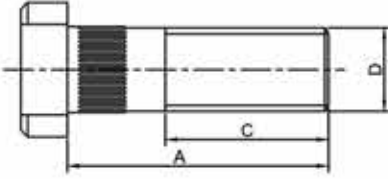
TEKNİK ÖZELLİKLER / TECHNICAL SPECIFICATION			
A(mm)	C (mm)	D (mm)	Kalite / Quality
130	52	M20x2	10.9
Org. No	659112613 / 0250708700 / 0250704300		
Poziyon/ Position	Arka / Rear		
Somun / Wheel Nut	SOM-0333		
Model			

# APSAN

insurance of your life



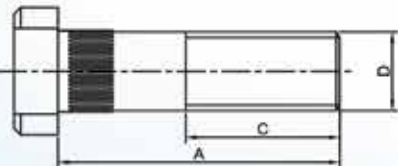
## IVC-7125



### TEKNİK ÖZELLİKLER / TECHNICAL SPECIFICATION

A(mm)	C (mm)	D (mm)	Kalite / Quality
56	35	M18x1.5	10.9
Org. No		7168346	
Poziyon/ Position		Ön / Front	
Somun / Wheel Nut		SOM-0220	
Model		50 NC	

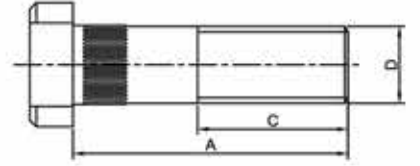
## IVC-7127



### TEKNİK ÖZELLİKLER / TECHNICAL SPECIFICATION

A(mm)	C (mm)	D (mm)	Kalite / Quality
64	35	M18x1.5	10.9
Org. No			
Poziyon/ Position		Arka / Rear	
Somun / Wheel Nut		SOM-0220	
Model		50 NC	

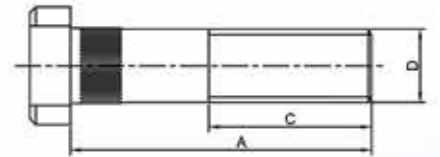
## IVC-7126



### TEKNİK ÖZELLİKLER / TECHNICAL SPECIFICATION

A(mm)	C (mm)	D (mm)	Kalite / Quality
64	35	M18x1.5	10.9
Org. No		7168257 / 042117463	
Poziyon/ Position		Arka / Rear	
Somun / Wheel Nut		SOM-0220	
Model		50 NC	

## IVC-7128

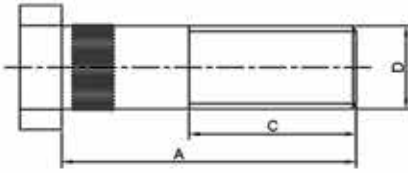


### TEKNİK ÖZELLİKLER / TECHNICAL SPECIFICATION

A(mm)	C (mm)	D (mm)	Kalite / Quality
74	40	M18x1.5	10.9
Org. No		7168333	
Poziyon/ Position		Arka / Rear	
Somun / Wheel Nut		SOM-0220	
Model		50 NC	



## IVC-7139



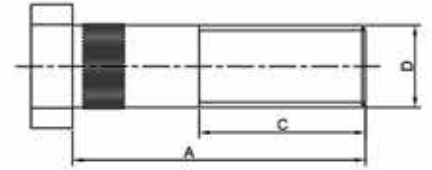
TEKNİK ÖZELLİKLER / TECHNICAL SPECIFICATION			
A(mm)	C (mm)	D (mm)	Kalite / Quality
70.5	40	M20x1.5	10.9
Org. No	42117433		
Poziyon/ Position	Ön / Front		
Somun / Wheel Nut	SOM-0131		
Model	EUROBUS		

## IVC-7151



TEKNİK ÖZELLİKLER / TECHNICAL SPECIFICATION			
A(mm)	C (mm)	D (mm)	Kalite / Quality
120	40	M22x1.5	10.9
Org. No	4211 7457		
Poziyon/ Position	Arka / Rear		
Somun / Wheel Nut	SOM-0141		
Model	EUROTECH		

## IVC-7140



TEKNİK ÖZELLİKLER / TECHNICAL SPECIFICATION			
A(mm)	C (mm)	D (mm)	Kalite / Quality
75.5	40	M20x1.5	10.9
Org. No	4206 4829		
Poziyon/ Position	Arka / Rear		
Somun / Wheel Nut	SOM-0131		
Model	EUROBUS		

## IVC-7152



TEKNİK ÖZELLİKLER / TECHNICAL SPECIFICATION			
A(mm)	C (mm)	D (mm)	Kalite / Quality
110	40	M22x1.5	10.9
Org. No	42117455 / 02477764		
Poziyon/ Position	Arka / Rear		
Somun / Wheel Nut	SOM-0141		
Model	TURBOSTAR 190,36 - 190,40		

www.apsanbijon.com.tr

## IVC-7153



TEKNİK ÖZELLİKLER / TECHNICAL SPECIFICATION			
A(mm)	C (mm)	D (mm)	Kalite / Quality
115	38	M22x1.5	10.9
Org. No	4211 7456		
Pozisyon/ Position	--		
Somun / Wheel Nut	SOM-0141		
Model			

## IVC-7155



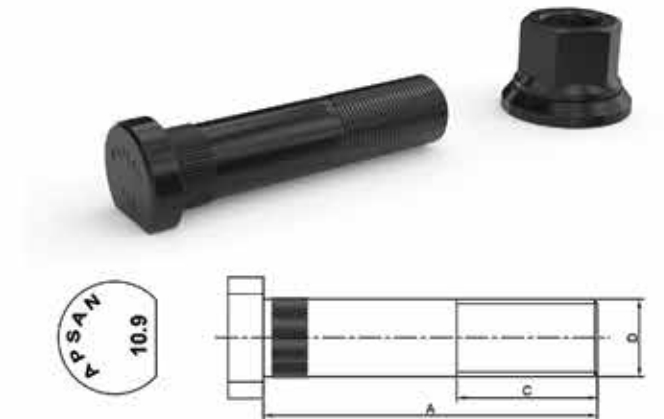
TEKNİK ÖZELLİKLER / TECHNICAL SPECIFICATION			
A(mm)	C (mm)	D (mm)	Kalite / Quality
85	40	M22x1.5	10.9
Org. No	4211 7449 / 7168580 / 02476077 / 421 01338		
Pozisyon/ Position	Ön / Front		
Somun / Wheel Nut	SOM-0141		
Model	TURBOSTAR / TURBO		

## IVC-7154



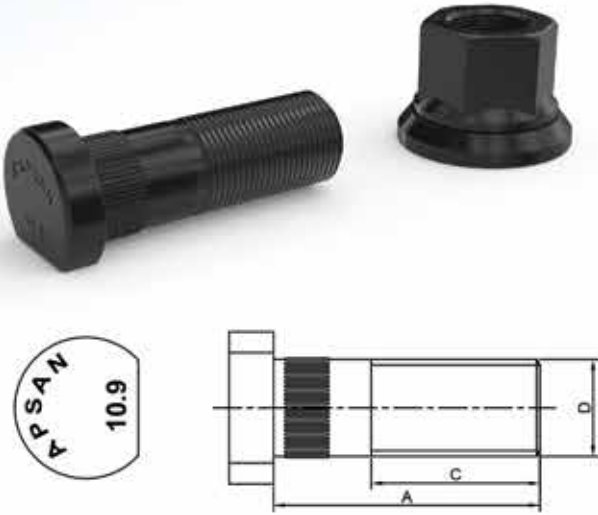
TEKNİK ÖZELLİKLER / TECHNICAL SPECIFICATION			
A(mm)	C (mm)	D (mm)	Kalite / Quality
135	38	M22x1.5	10.9
Org. No	4211 7461		
Pozisyon/ Position	--		
Somun / Wheel Nut	SOM-0141		
Model			

## IVC-7156



TEKNİK ÖZELLİKLER / TECHNICAL SPECIFICATION			
A(mm)	C (mm)	D (mm)	Kalite / Quality
95	40	M22x1.5	10.9
Org. No	4211 7452 /		
Pozisyon/ Position	Ön / Front		
Somun / Wheel Nut	SOM-0141		
Model	EUROTECH ; EUTOSTAR ; TRAKKER		

## IVC-7157



TEKNİK ÖZELLİKLER / TECHNICAL SPECIFICATION			
A(mm)	C (mm)	D (mm)	Kalite / Quality
65	38	M22x1.5	10.9
Org. No	4211 7445		
Pozisyon/ Position	Ön / Front		
Somun / Wheel Nut	SOM-0140		
Model			

## IVC-7159



TEKNİK ÖZELLİKLER / TECHNICAL SPECIFICATION			
A(mm)	C (mm)	D (mm)	Kalite / Quality
100	38	M22x1.5	10.9
Org. No	4211 7453 / 2476077 / 7168465		
Pozisyon/ Position	--		
Somun / Wheel Nut	SOM-0141		
Model	EUROTECH ; EUTOSTAR; TRAKKER		

## IVC-7158



TEKNİK ÖZELLİKLER / TECHNICAL SPECIFICATION			
A(mm)	C (mm)	D (mm)	Kalite / Quality
75	38	M22x1.5	10.9
Org. No	4211 7447		
Pozisyon/ Position	--		
Somun / Wheel Nut	SOM-0140		
Model			

## IVC-7160



TEKNİK ÖZELLİKLER / TECHNICAL SPECIFICATION			
A(mm)	C (mm)	D (mm)	Kalite / Quality
105	38	M22x1.5	10.9
Org. No	4211 7454		
Pozisyon/ Position	--		
Somun / Wheel Nut	SOM-0141		
Model			

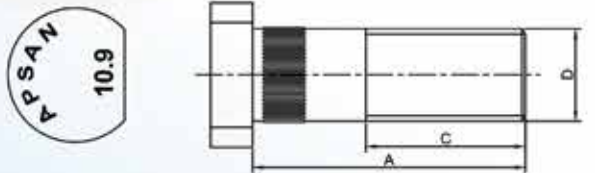
www.apsanbijon.com.tr

## IVC-7161



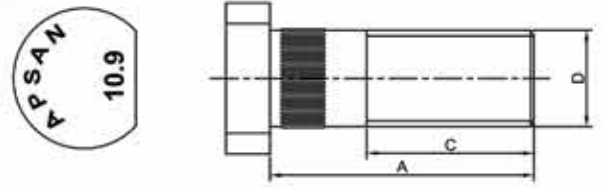
TEKNİK ÖZELLİKLER / TECHNICAL SPECIFICATION			
A(mm)	C (mm)	D (mm)	Kalite / Quality
130	40	M22x1.5	10.9
Org. No	42117459		
Pozisyon/ Position	Arka / Rear		
Somun / Wheel Nut	SOM-0141		
Model			

## IVC-7163



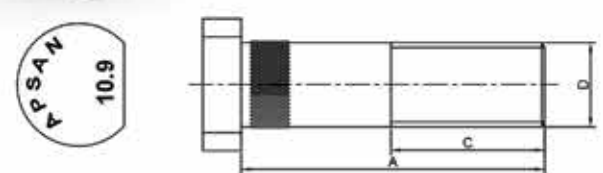
TEKNİK ÖZELLİKLER / TECHNICAL SPECIFICATION			
A(mm)	C (mm)	D (mm)	Kalite / Quality
70	38	M22x1.5	10.9
Org. No	4211 7446		
Pozisyon/ Position	--		
Somun / Wheel Nut	SOM-0140		
Model			

## IVC-7162



TEKNİK ÖZELLİKLER / TECHNICAL SPECIFICATION			
A(mm)	C (mm)	D (mm)	Kalite / Quality
60	38	M22x1.5	10.9
Org. No	4211 7444		
Pozisyon/ Position	--		
Somun / Wheel Nut	SOM-0140		
Model			

## IVC-7164



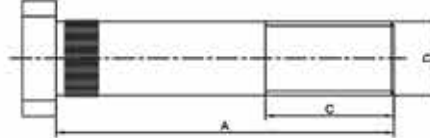
TEKNİK ÖZELLİKLER / TECHNICAL SPECIFICATION			
A(mm)	C (mm)	D (mm)	Kalite / Quality
79	40	M22x1.5	10.9
Org. No	4211 7448		
Pozisyon/ Position	--		
Somun / Wheel Nut	SOM-0141		
Model			

## IVC-7165



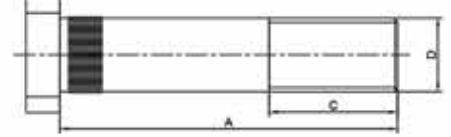
TEKNİK ÖZELLİKLER / TECHNICAL SPECIFICATION			
A(mm)	C (mm)	D (mm)	Kalite / Quality
65	35	M18x1.5	10.9
Org. No	7168257 / 42117463 / 40390478		
Poziyon/ Position			
Somun / Wheel Nut	SOM-0120		
Model	EURO CARGO		

## IVC-7167



TEKNİK ÖZELLİKLER / TECHNICAL SPECIFICATION			
A(mm)	C (mm)	D (mm)	Kalite / Quality
130	40	M22x1.5	10.9
Org. No	4211 7459		
Poziyon/ Position	Arka / Rear		
Somun / Wheel Nut	SOM-0141		
Model			

## IVC-7166

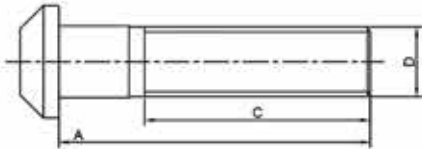


TEKNİK ÖZELLİKLER / TECHNICAL SPECIFICATION			
A(mm)	C (mm)	D (mm)	Kalite / Quality
60	38	M22x1.5	10.9
Org. No	4211 7444		
Poziyon/ Position	Ön / Front		
Somun / Wheel Nut	SOM-0140		
Model			

www.apsanbijon.com.tr

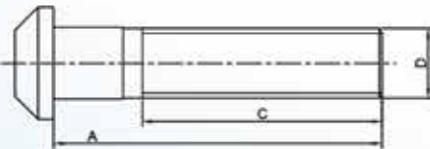
APSAN

## SCN-8125



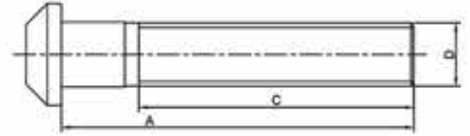
TEKNİK ÖZELLİKLER / TECHNICAL SPECIFICATION			
A(mm)	C (mm)	D (mm)	Kalite / Quality
80	58	W7/8"x11	10.9
Org. No	337559 / 1368692		
Pozisyon/ Position	Ön / Front		
Somun / Wheel Nut	SOM-0170		
Model			

## SCN-8127



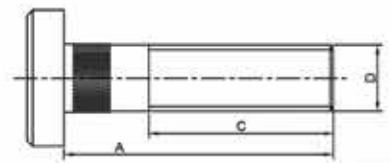
TEKNİK ÖZELLİKLER / TECHNICAL SPECIFICATION			
A(mm)	C (mm)	D (mm)	Kalite / Quality
85	62	W7/8"x11	10.9
Org. No	1368693		
Pozisyon/ Position	Arka / Rear		
Somun / Wheel Nut	SOM-0170		
Model			

## SCN-8126



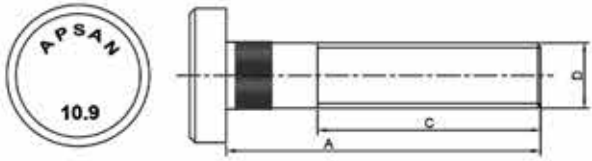
TEKNİK ÖZELLİKLER / TECHNICAL SPECIFICATION			
A(mm)	C (mm)	D (mm)	Kalite / Quality
100	78	W7/8"x11	10.9
Org. No	0272853		
Pozisyon/ Position	Arka / Rear		
Somun / Wheel Nut	SOM-0170		
Model			

## SCN-8128



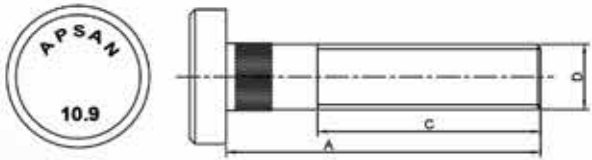
TEKNİK ÖZELLİKLER / TECHNICAL SPECIFICATION			
A(mm)	C (mm)	D (mm)	Kalite / Quality
73	50	W7/8"x11	10.9
Org. No	1868665		
Pozisyon/ Position	Ön / Front		
Somun / Wheel Nut	Som-0170		
Model			

## SCN-8129



TEKNİK ÖZELLİKLER / TECHNICAL SPECIFICATION			
A(mm)	C (mm)	D (mm)	Kalite / Quality
86	61	W7/8"x11	10.9
Org. No		1528712	
Poziyon/ Position		Arka / Rear	
Somun / Wheel Nut		SOM-0170	
Model			

## SCN-8131



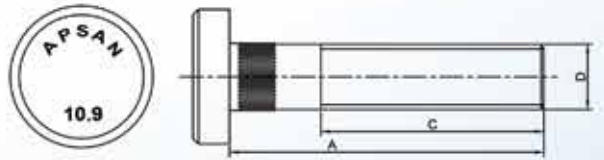
TEKNİK ÖZELLİKLER / TECHNICAL SPECIFICATION			
A(mm)	C (mm)	D (mm)	Kalite / Quality
96	67	W7/8"x11	10.9
Org. No		1868668	
Poziyon/ Position		Arka / Rear	
Somun / Wheel Nut		SOM-0170	
Model			

## SCN-8130



TEKNİK ÖZELLİKLER / TECHNICAL SPECIFICATION			
A(mm)	C (mm)	D (mm)	Kalite / Quality
70	49	W7/8"x11	10.9
Org. No		290062 / 397266 / 1368690	
Poziyon/ Position		Ön / Front	
Somun / Wheel Nut		Som-0170	
Model		Disk / For Disc	

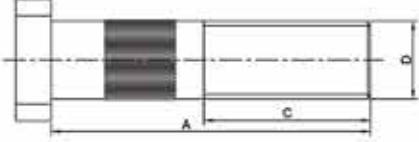
## SCN-8132



TEKNİK ÖZELLİKLER / TECHNICAL SPECIFICATION			
A(mm)	C (mm)	D (mm)	Kalite / Quality
102	70	W7/8"x11	10.9
Org. No		1528655	
Poziyon/ Position		Arka / Rear	
Somun / Wheel Nut		Som-0170	
Model			

www.apsanbijon.com.tr

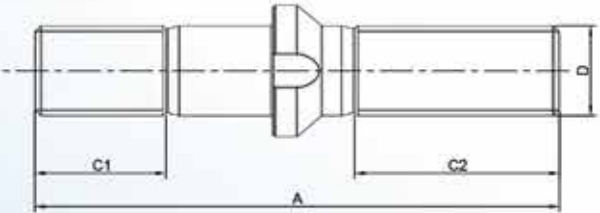
## DRS-30148



### TEKNİK ÖZELLİKLER / TECHNICAL SPECIFICATION

A(mm)	C (mm)	D (mm)	Kalite / Quality
90	40	M22x1.5	10.9
Org. No			
Poziyon/ Position		--	
Somun / Wheel Nut		SOM-0141	
Model		PİLOT	

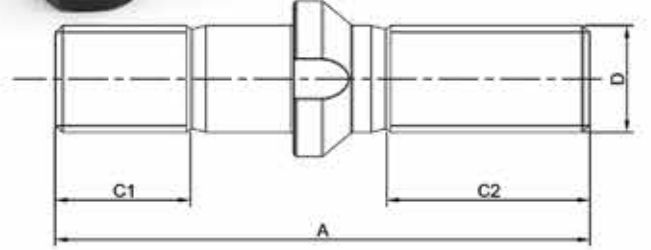
## DRS-30223



### TEKNİK ÖZELLİKLER / TECHNICAL SPECIFICATION

A(mm)	C (mm)	D (mm)	Kalite / Quality
128	32-50	M22x2	10.9
Org. No		0329613170	
Poziyon/ Position			
Somun / Wheel Nut		SOM-0452 / SOM-0250	
Model			

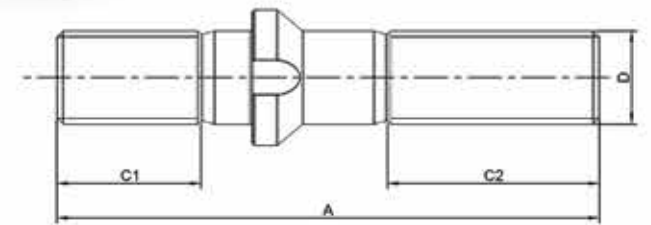
## DRS-30222



### TEKNİK ÖZELLİKLER / TECHNICAL SPECIFICATION

A(mm)	C (mm)	D (mm)	Kalite / Quality
110	28-42	M22x2	10.9
Org. No			
Poziyon/ Position			
Somun / Wheel Nut		SOM-0451 / SOM-0150	
Model			

## DRS-30224

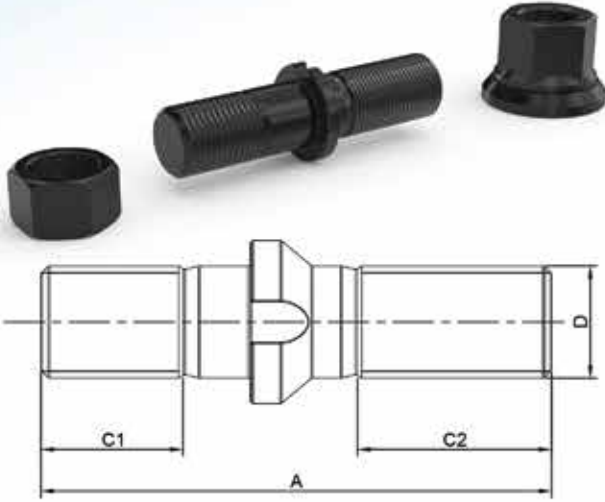


### TEKNİK ÖZELLİKLER / TECHNICAL SPECIFICATION

A(mm)	C (mm)	D (mm)	Kalite / Quality
128	34-50	M22x2	10.9
Org. No			
Poziyon/ Position			
Somun / Wheel Nut		SOM-0452 / SOM-0250	
Model			



## DRS-30225



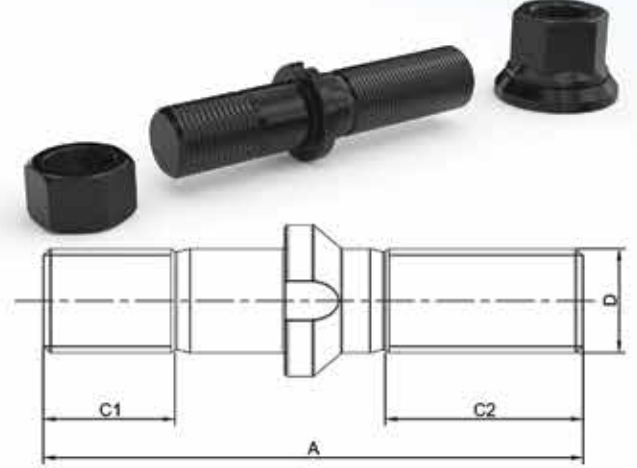
TEKNİK ÖZELLİKLER / TECHNICAL SPECIFICATION			
A(mm)	C (mm)	D (mm)	Kalite / Quality
105	28-38	M22x2 M22x1.5	10.9
Org. No		03.296.23.150	
Poziyon/ Position			
Somun / Wheel Nut		SOM-0451 / SOM-0140	
Model			

## DRS-30227



TEKNİK ÖZELLİKLER / TECHNICAL SPECIFICATION			
A(mm)	C (mm)	D (mm)	Kalite / Quality
80	38.5	M22x1.5	10.9
Org. No		03.296.33.110	
Poziyon/ Position			
Somun / Wheel Nut		SOM-0140	
Model			

## DRS-30226



TEKNİK ÖZELLİKLER / TECHNICAL SPECIFICATION			
A(mm)	C (mm)	D (mm)	Kalite / Quality
114	28-51	M22x2 M22x1.5	10.9
Org. No		03.296.23.170 / 8241000989 09.806.13.02.0	
Poziyon/ Position			
Somun / Wheel Nut		SOM-0451 / SOM-141	
Model			

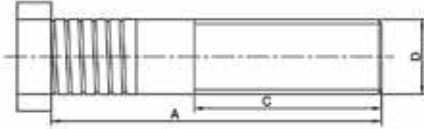
## DRS-30228



TEKNİK ÖZELLİKLER / TECHNICAL SPECIFICATION			
A(mm)	C (mm)	D (mm)	Kalite / Quality
88.5	42.5	M22x1.5	10.9
Org. No		03.296.33.111	
Poziyon/ Position			
Somun / Wheel Nut		SOM-0141	
Model			

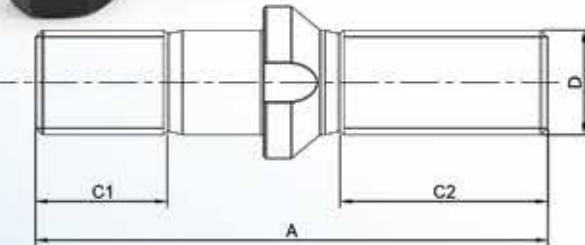
www.apsanbjon.com.tr

## DRS-30229



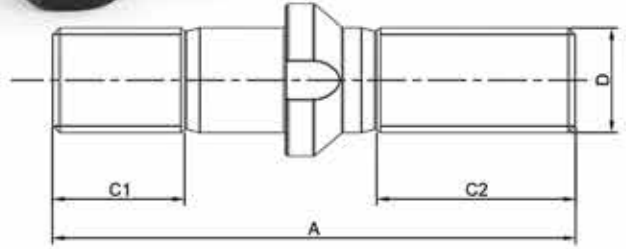
TEKNİK ÖZELLİKLER / TECHNICAL SPECIFICATION			
A(mm)	C (mm)	D (mm)	Kalite / Quality
97	55	M22x1.5	10.9
Org. No	03.296.33.121		
Poziyon/ Position			
Somun / Wheel Nut	SOM-0141		
Model			

## DRS-30231



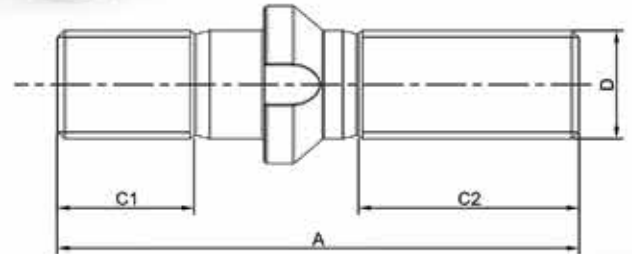
TEKNİK ÖZELLİKLER / TECHNICAL SPECIFICATION			
A(mm)	C (mm)	D (mm)	Kalite / Quality
108	28-44	M22x2	10.9
Org. No	098061302		
Poziyon/ Position			
Somun / Wheel Nut	SOM-0451 / SOM-0251		
Model			

## DRS-30230



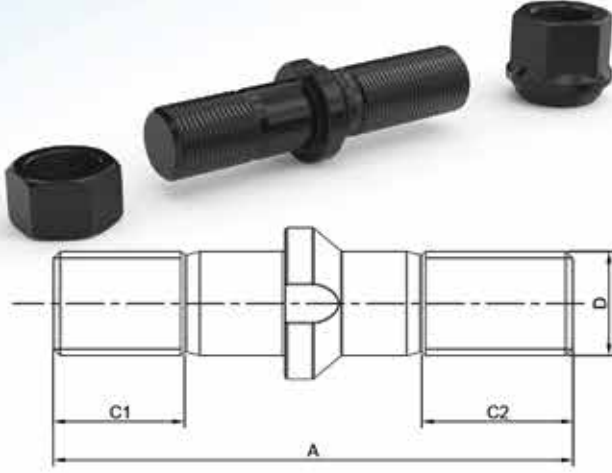
TEKNİK ÖZELLİKLER / TECHNICAL SPECIFICATION			
A(mm)	C (mm)	D (mm)	Kalite / Quality
110	28-42	M22x2	10.9
Org. No	0329613090		
Poziyon/ Position			
Somun / Wheel Nut	SOM-0451 / SOM-0251		
Model			

## DRS-30232



TEKNİK ÖZELLİKLER / TECHNICAL SPECIFICATION			
A(mm)	C (mm)	D (mm)	Kalite / Quality
106	28-44	M20x1.5 M22x1.5	10.9
Org. No	03.296.13.070		
Poziyon/ Position			
Somun / Wheel Nut	SOM-036 / SOM-0241		
Model			

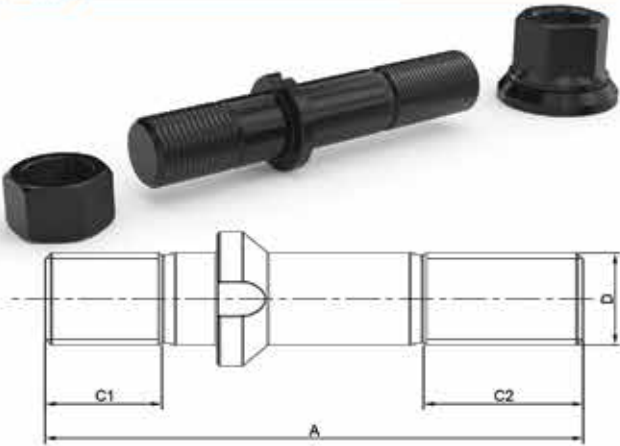
## DRS-30233



### TEKNİK ÖZELLİKLER / TECHNICAL SPECIFICATION

A(mm)	C (mm)	D (mm)	Kalite / Quality
110	28-46	M22x1.5 M22x2	10.9
Org. No		03.296.13.060	
Poziyon/ Position			
Somun / Wheel Nut		SOM-0451 / SOM-0241	
Model			

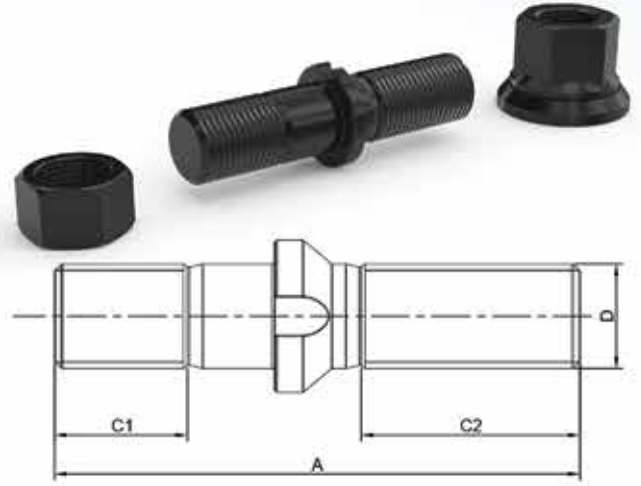
## DRS-30235



### TEKNİK ÖZELLİKLER / TECHNICAL SPECIFICATION

A(mm)	C (mm)	D (mm)	Kalite / Quality
128	28-38	M22x2 M22x1.5	10.9
Org. No			
Poziyon/ Position			
Somun / Wheel Nut		SOM-0451 / SOM-0141	
Model			

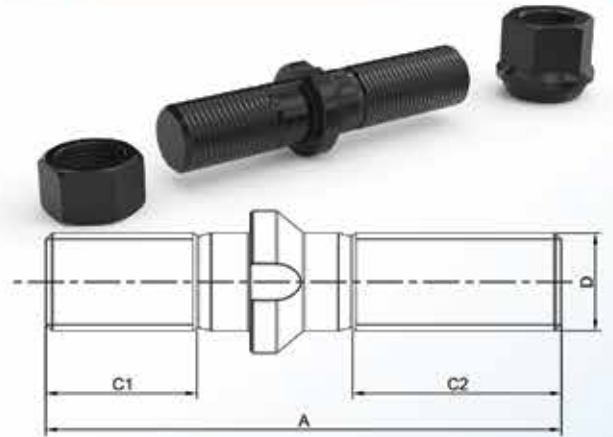
## DRS-30234



### TEKNİK ÖZELLİKLER / TECHNICAL SPECIFICATION

A(mm)	C (mm)	D (mm)	Kalite / Quality
97	26-37	M22x2	10.9
Org. No		03.296.23.050	
Poziyon/ Position			
Somun / Wheel Nut		SOM-0451 / SOM-0150	
Model			

## DRS-30236



### TEKNİK ÖZELLİKLER / TECHNICAL SPECIFICATION

A(mm)	C (mm)	D (mm)	Kalite / Quality
116	34-47	M22x2	10.9
Org. No		03.296.13.110	
Poziyon/ Position			
Somun / Wheel Nut		SOM-0451 / SOM-0251	
Model			



**/// APSAN<sup>®</sup> BIJON**  
[www.apsanbijon.com](http://www.apsanbijon.com)

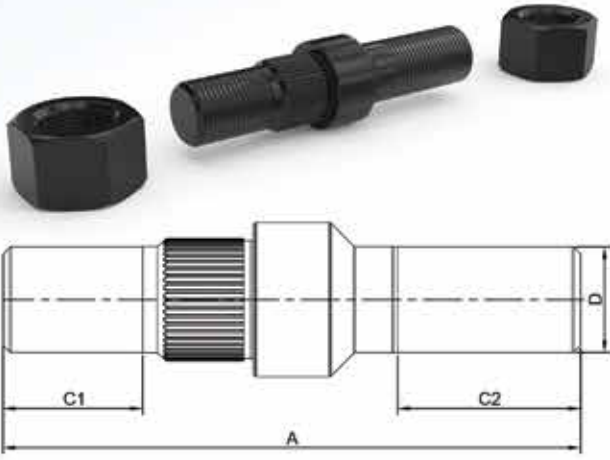


technology at work



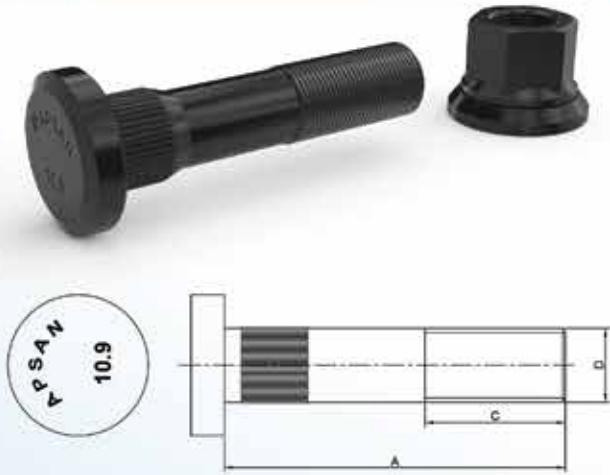
[www.apsanbijon.com.tr](http://www.apsanbijon.com.tr)

## DF-10110



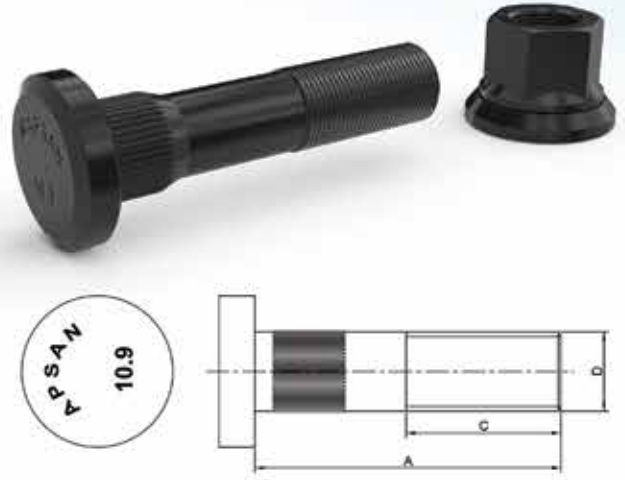
TEKNİK ÖZELLİKLER / TECHNICAL SPECIFICATION			
A(mm)	C (mm)	D (mm)	Kalite / Quality
120	28 - 38	M22x2	10.9
Org. No	259931		
Poziyon/ Position	Arka / Rear		
Somun / Wheel Nut	SOM-0452 SOM-0455		
Model			

## DF-10126



TEKNİK ÖZELLİKLER / TECHNICAL SPECIFICATION			
A(mm)	C (mm)	D (mm)	Kalite / Quality
104	45	M22x1.5	10.9
Org. No	620649 / 1308038		
Poziyon/ Position	Arka / Rear		
Somun / Wheel Nut	SOM-0141		
Model			

## DF-10125



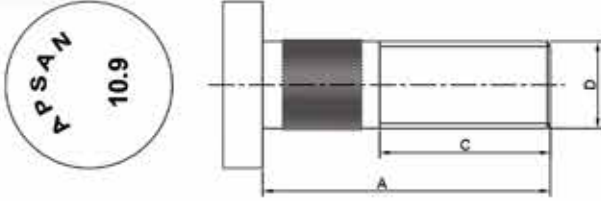
TEKNİK ÖZELLİKLER / TECHNICAL SPECIFICATION			
A(mm)	C (mm)	D (mm)	Kalite / Quality
85	46	M22x1.5	10.9
Org. No	620646 / 1309191 / 0099730		
Poziyon/ Position	Ön / Front		
Somun / Wheel Nut	SOM-0141		
Model			

## DF-10128



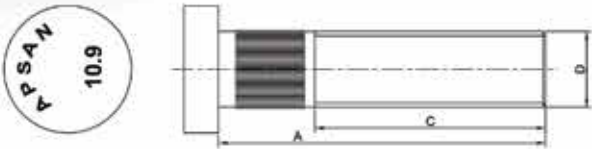
TEKNİK ÖZELLİKLER / TECHNICAL SPECIFICATION			
A(mm)	C (mm)	D (mm)	Kalite / Quality
85	46	M22x1.5	10.9
Org. No	1309101		
Poziyon/ Position	Arka / Rear		
Somun / Wheel Nut	SOM-0140		
Model			

### DF-10129



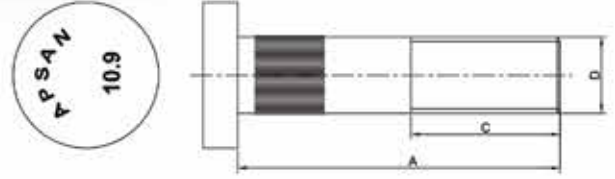
TEKNİK ÖZELLİKLER / TECHNICAL SPECIFICATION			
A(mm)	C (mm)	D (mm)	Kalite / Quality
72.5	51	M22x1.5	10.9
Org. No	1337020		
Pozisyon/ Position	Ön / Front		
Somun / Wheel Nut	SOM-0140		
Model			

### FD-304



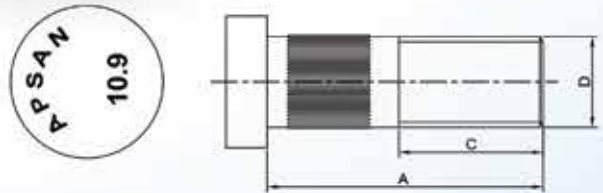
TEKNİK ÖZELLİKLER / TECHNICAL SPECIFICATION			
A(mm)	C (mm)	D (mm)	Kalite / Quality
95	67	M22x1.5	10.9
Org. No			
Pozisyon/ Position	--		
Somun / Wheel Nut	SOM-0141		
Model	FAS ÖZEL		

### DF-10130



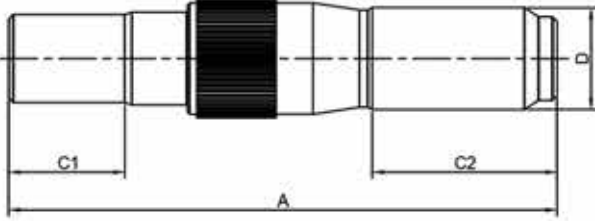
TEKNİK ÖZELLİKLER / TECHNICAL SPECIFICATION			
A(mm)	C (mm)	D (mm)	Kalite / Quality
93	46	M22x1.5	10.9
Org. No	99731 / 1309190 / 890763		
Pozisyon/ Position			
Somun / Wheel Nut	SOM-0141		
Model			

### HDR-0615



TEKNİK ÖZELLİKLER / TECHNICAL SPECIFICATION			
A(mm)	C (mm)	D (mm)	Kalite / Quality
67	35	W3/4"x16	10.9
Org. No			
Pozisyon/ Position			
Somun / Wheel Nut	SOM-0211		
Model	HİDROMEK JCB		

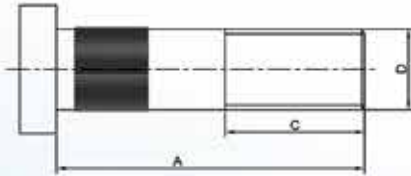
## FRD-6125



### TEKNİK ÖZELLİKLER / TECHNICAL SPECIFICATION

A(mm)	C (mm)	D (mm)	Kalite / Quality
118	25 - 45	W3/4"16 - 22x1.5	10.9
Org. No		81 DB - 118 CA	
Poziyon/ Position		--	
Somun / Wheel Nut		SOM-0310 / SOM-0141	
Model		2517 - 2520 CARGO	

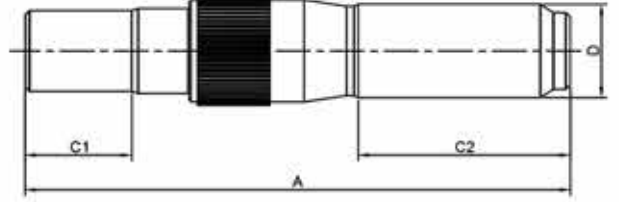
## FRD-6127



### TEKNİK ÖZELLİKLER / TECHNICAL SPECIFICATION

A(mm)	C (mm)	D (mm)	Kalite / Quality
84	38	M22x1.5	10.9
Org. No			
Poziyon/ Position		Öm / Front	
Somun / Wheel Nut		SOM-0140	
Model		2517-2520-3220 CARGO INTERCOLER	

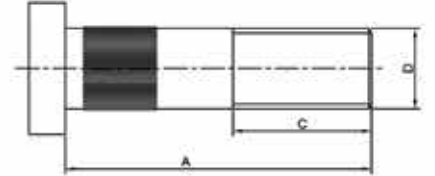
## FRD-6126



### TEKNİK ÖZELLİKLER / TECHNICAL SPECIFICATION

A(mm)	C (mm)	D (mm)	Kalite / Quality
128	25-45	W3/4"16-M22x1.5	10.9
Org. No		92 CT - 111 8AA	
Poziyon/ Position		--	
Somun / Wheel Nut		SOM-0310 / SOM-0141	
Model		2621-2626 CARGO INTERCOLER	

## FRD-6128

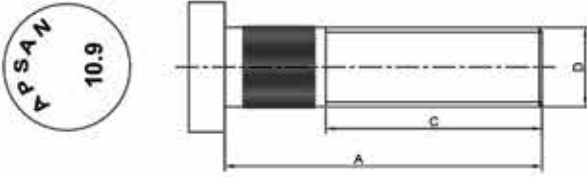


### TEKNİK ÖZELLİKLER / TECHNICAL SPECIFICATION

A(mm)	C (mm)	D (mm)	Kalite / Quality
105	48	M22x1.5	10.9
Org. No			
Poziyon/ Position		Arka / Rear	
Somun / Wheel Nut		SOM-0141	
Model		2621 - 2626 3227	

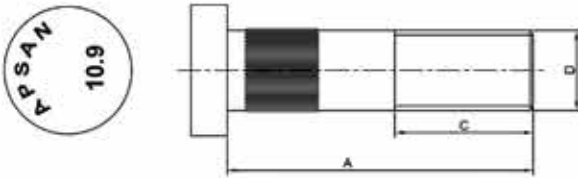


## FRD-6129



TEKNİK ÖZELLİKLER / TECHNICAL SPECIFICATION			
A(mm)	C (mm)	D (mm)	Kalite / Quality
88	60	M22x1.5	10.9
Org. No	20515515		
Pozisyon/ Position	Ön / Front		
Somun / Wheel Nut	SOM-0141		
Model	3430 CARGO		

## FRD-6131



TEKNİK ÖZELLİKLER / TECHNICAL SPECIFICATION			
A(mm)	C (mm)	D (mm)	Kalite / Quality
105	60	M24x1.5	10.9
Org. No			
Pozisyon/ Position	Arka / Rear		
Somun / Wheel Nut	SOM-0160		
Model			

## FRD-6130

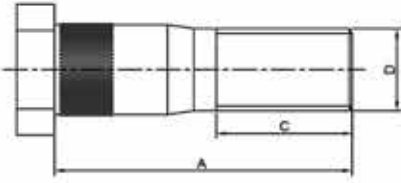


TEKNİK ÖZELLİKLER / TECHNICAL SPECIFICATION			
A(mm)	C (mm)	D (mm)	Kalite / Quality
105	82	M22x1.5	10.9
Org. No	205 155 19		
Pozisyon/ Position	Arka / Rear		
Somun / Wheel Nut	SOM-0141		
Model	3430 CARGO		

www.apsanbjon.com.tr

# APSAN

## RN-20125



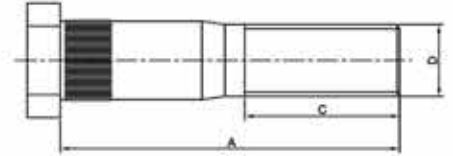
TEKNİK ÖZELLİKLER / TECHNICAL SPECIFICATION			
A(mm)	C (mm)	D (mm)	Kalite / Quality
79	36	M22x1.5	10.9
Org. No	5010319141 / 0000190221		
Pozisyon/ Position	Ön / Front		
Somun / Wheel Nut	SOM-0140		
Model			

## RN-20127



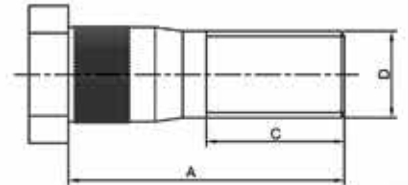
TEKNİK ÖZELLİKLER / TECHNICAL SPECIFICATION			
A(mm)	C (mm)	D (mm)	Kalite / Quality
114	45	M22x1.5	10.9
Org. No	5010241892		
Pozisyon/ Position	Arka / Rear		
Somun / Wheel Nut	SOM-0141		
Model	MAGNUM		

## RN-20126



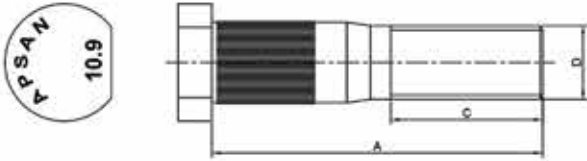
TEKNİK ÖZELLİKLER / TECHNICAL SPECIFICATION			
A(mm)	C (mm)	D (mm)	Kalite / Quality
97	47	M22x1.5	10.9
Org. No	190513/0000190220		
Pozisyon/ Position	Arka / Rear		
Somun / Wheel Nut	SOM-0141		
Model			

## RN-20128



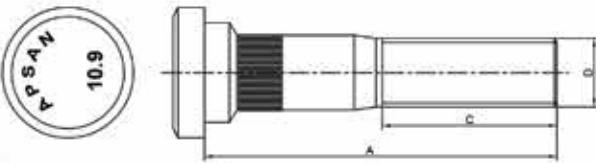
TEKNİK ÖZELLİKLER / TECHNICAL SPECIFICATION			
A(mm)	C (mm)	D (mm)	Kalite / Quality
70	35	M22x1.5	10.9
Org. No	5000737601		
Pozisyon/ Position	Ön / Front		
Somun / Wheel Nut	SOM-0140		
Model			

### RN-20129



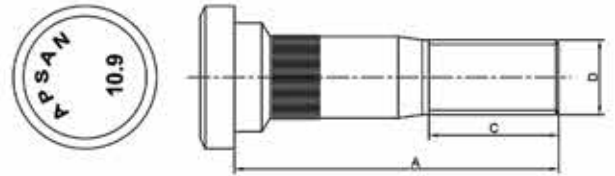
TEKNİK ÖZELLİKLER / TECHNICAL SPECIFICATION			
A(mm)	C (mm)	D (mm)	Kalite / Quality
97	45	M22x1.5	10.9
Org. No	5010439317		
Poziyon/ Position	Arka / Rear		
Somun / Wheel Nut	SOM-0141		
Model			

### RN-20131



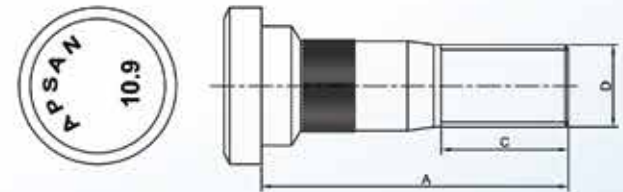
TEKNİK ÖZELLİKLER / TECHNICAL SPECIFICATION			
A(mm)	C (mm)	D (mm)	Kalite / Quality
113	56	M22x1.5	10.9
Org. No	5010566159		
Poziyon/ Position	Arka / Rear		
Somun / Wheel Nut	SOM-0141		
Model			

### RN-20130



TEKNİK ÖZELLİKLER / TECHNICAL SPECIFICATION			
A(mm)	C (mm)	D (mm)	Kalite / Quality
95	38	M22x1.5	10.9
Org. No	5010566244		
Poziyon/ Position	Arka / Rear		
Somun / Wheel Nut	SOM-0141		
Model			

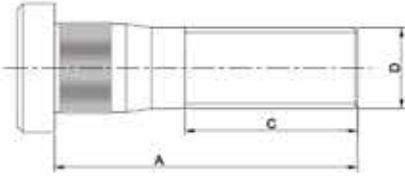
### RN-20137



TEKNİK ÖZELLİKLER / TECHNICAL SPECIFICATION			
A(mm)	C (mm)	D (mm)	Kalite / Quality
82	34	M18x1.5	10.9
Org. No			
Poziyon/ Position	Arka / Rear		
Somun / Wheel Nut	SOM-0120		
Model			

www.apsanbijon.com.tr

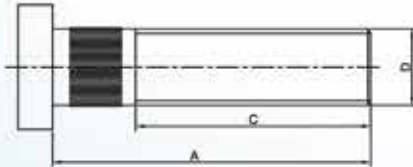
### RN-20140



#### TEKNİK ÖZELLİKLER / TECHNICAL SPECIFICATION

A(mm)	C (mm)	D (mm)	Kalite / Quality
79.5	50	M22x1.5	10.9
Org. No		7420515514	
Poziyon/ Position		Ön / Front	
Somun / Wheel Nut		SOM-0141	
Model			

### RN-20142



#### TEKNİK ÖZELLİKLER / TECHNICAL SPECIFICATION

A(mm)	C (mm)	D (mm)	Kalite / Quality
100	76	M22x1.5	10.9
Org. No		7420515518	
Poziyon/ Position		Arka / Rear	
Somun / Wheel Nut		SOM-0141	
Model			

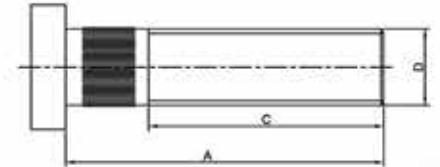
### RN-20141



#### TEKNİK ÖZELLİKLER / TECHNICAL SPECIFICATION

A(mm)	C (mm)	D (mm)	Kalite / Quality
88	68	M22x1.5	10.9
Org. No		7420515515	
Poziyon/ Position		Ön / Front	
Somun / Wheel Nut		SOM-0141	
Model			

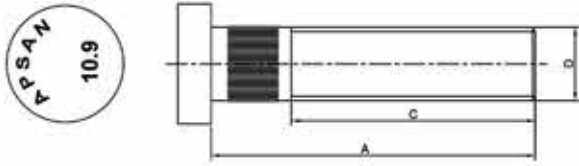
### RN-20143



#### TEKNİK ÖZELLİKLER / TECHNICAL SPECIFICATION

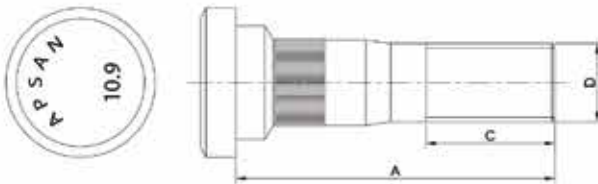
A(mm)	C (mm)	D (mm)	Kalite / Quality
105	82	M22x1.5	10.9
Org. No		7420515519	
Poziyon/ Position		Arka / Rear	
Somun / Wheel Nut		SOM-0141	
Model			

### RN-20144



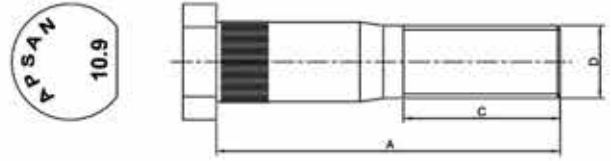
TEKNİK ÖZELLİKLER / TECHNICAL SPECIFICATION			
A(mm)	C (mm)	D (mm)	Kalite / Quality
97	73	M22x1.5	10.9
Org. No	7420515517		
Pozisyon/ Position	Arka / Rear		
Somun / Wheel Nut	SOM-0141		
Model			

### RN-20147



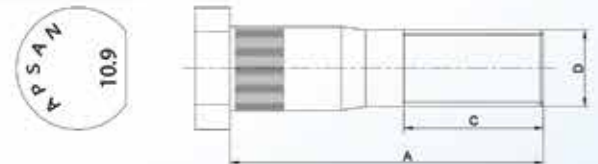
TEKNİK ÖZELLİKLER / TECHNICAL SPECIFICATION			
A(mm)	C (mm)	D (mm)	Kalite / Quality
81.5	33	M20x1.5	10.9
Org. No	5010319277		
Pozisyon/ Position	Ön / Front		
Somun / Wheel Nut	SOM-0131		
Model	MIDLUM		

### RN-20145



TEKNİK ÖZELLİKLER / TECHNICAL SPECIFICATION			
A(mm)	C (mm)	D (mm)	Kalite / Quality
114	47	M22x1.5	10.9
Org. No	7421147687 / 21147687		
Pozisyon/ Position	Arka / Rear		
Somun / Wheel Nut	SOM-0141		
Model			

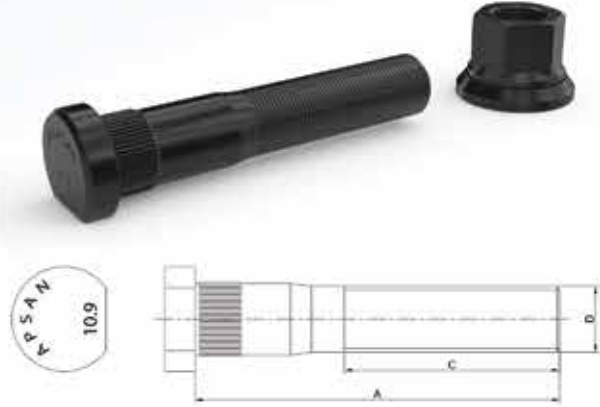
### RN-20148



TEKNİK ÖZELLİKLER / TECHNICAL SPECIFICATION			
A(mm)	C (mm)	D (mm)	Kalite / Quality
90	40	M22x1.5	10.9
Org. No	5010319709		
Pozisyon/ Position	Arka / Rear		
Somun / Wheel Nut	SOM-0141		
Model			

www.apsanbjon.com.tr

## RN-20149



TEKNİK ÖZELLİKLER / TECHNICAL SPECIFICATION			
A(mm)	C (mm)	D (mm)	Kalite / Quality
133	72	M22x1.5	10.9
Org. No		5010439406	
Poziyon/ Position		Arka / Rear	
Somun / Wheel Nut		SOM-0141	
Model			

## RN-20150



TEKNİK ÖZELLİKLER / TECHNICAL SPECIFICATION			
A(mm)	C (mm)	D (mm)	Kalite / Quality
145	95	M22x1.5	10.9
Org. No			
Poziyon/ Position		Arka / Rear	
Somun / Wheel Nut		SOM-0141	
Model			

## RN-20151



TEKNİK ÖZELLİKLER / TECHNICAL SPECIFICATION			
A(mm)	C (mm)	D (mm)	Kalite / Quality
	31	M18x1.5	10.9
Org. No		5010241839	
Poziyon/ Position		Ön / Front	
Somun / Wheel Nut		SOM-0120	
Model			

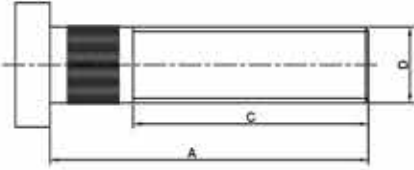
## RN-20152



TEKNİK ÖZELLİKLER / TECHNICAL SPECIFICATION			
A(mm)	C (mm)	D (mm)	Kalite / Quality
92	68	M22x1.5	10.9
Org. No		7420515516	
Poziyon/ Position		Ön / Front	
Somun / Wheel Nut		SOM-0141	
Model			

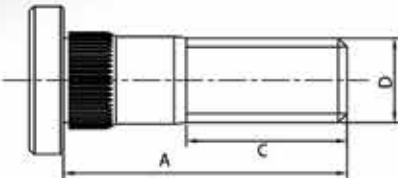
www.apsanbjon.com.tr

### RN-20153



TEKNİK ÖZELLİKLER / TECHNICAL SPECIFICATION			
A(mm)	C (mm)	D (mm)	Kalite / Quality
122	100	M22x1.5	10.9
Org. No	7420553560		
Pozisyon/ Position	Arka / Rear		
Somun / Wheel Nut	SOM-0141		
Model			

### RN-20155



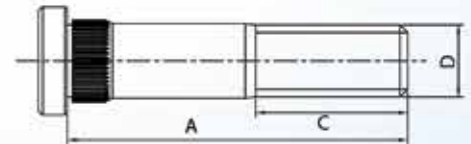
TEKNİK ÖZELLİKLER / TECHNICAL SPECIFICATION			
A(mm)	C (mm)	D (mm)	Kalite / Quality
50	30	M20x1.5	10.9
Org. No	5010224821		
Pozisyon/ Position	Ön / Front		
Somun / Wheel Nut	SOM-0131		
Model			

### RN-20154



TEKNİK ÖZELLİKLER / TECHNICAL SPECIFICATION			
A(mm)	C (mm)	D (mm)	Kalite / Quality
130	41	M22x1.5	10.9
Org. No	7420489851		
Pozisyon/ Position	Arka / Rear		
Somun / Wheel Nut	SOM-0141		
Model			

### RN-20156



TEKNİK ÖZELLİKLER / TECHNICAL SPECIFICATION			
A(mm)	C (mm)	D (mm)	Kalite / Quality
95	40	M20x1.5	10.9
Org. No			
Pozisyon/ Position	Arka / Rear		
Somun / Wheel Nut	SOM-0131		
Model			

www.apsanbijon.com.tr

## DRS-30168



TEKNİK ÖZELLİKLER / TECHNICAL SPECIFICATION			
A(mm)	C (mm)	D (mm)	Kalite / Quality
98	48.5	M22x1.5	10.9
Org. No	21020977 / 21020997		
Poziyon/ Position			
Somun / Wheel Nut	SOM-0141		
Model			

## DRS-30169-R



TEKNİK ÖZELLİKLER / TECHNICAL SPECIFICATION			
A(mm)	C (mm)	D (mm)	Kalite / Quality
94	46	W7/8"x11	10.9
Org. No	210 184 90		
Poziyon/ Position			
Somun / Wheel Nut	SOM-0170		
Model			

## DRS-30169-L



TEKNİK ÖZELLİKLER / TECHNICAL SPECIFICATION			
A(mm)	C (mm)	D (mm)	Kalite / Quality
94	46	W7/8"x11	10.9
Org. No	21018491		
Poziyon/ Position			
Somun / Wheel Nut	SOM-0170-L		
Model			

## DRS-30170



TEKNİK ÖZELLİKLER / TECHNICAL SPECIFICATION			
A(mm)	C (mm)	D (mm)	Kalite / Quality
85	50	M22x1.5	10.9
Org. No	21022167		
Poziyon/ Position			
Somun / Wheel Nut	SOM-0141		
Model			



### DRS-30171



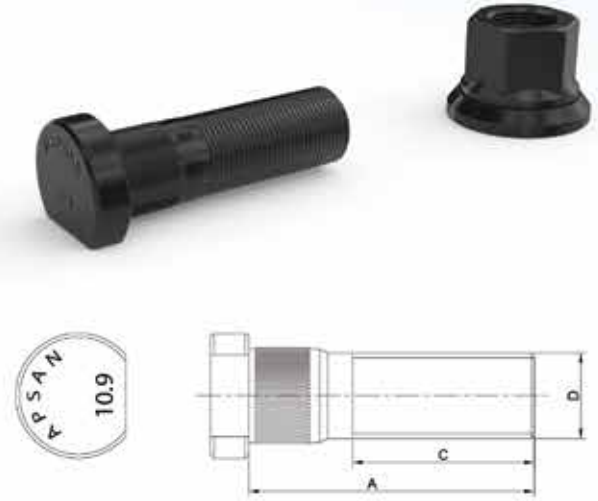
TEKNİK ÖZELLİKLER / TECHNICAL SPECIFICATION			
A(mm)	C (mm)	D (mm)	Kalite / Quality
80	45	M22x1.5	10.9
Org. No	21220132		
Poziyon/ Position			
Somun / Wheel Nut	SOM-0141		
Model	ROR		

### DRS-30203



TEKNİK ÖZELLİKLER / TECHNICAL SPECIFICATION			
A(mm)	C (mm)	D (mm)	Kalite / Quality
83	46.5	M22x1.5	10.9
Org. No	1303 10 74 12		
Poziyon/ Position			
Somun / Wheel Nut	SOM-0141		
Model			

### DRS-30202



TEKNİK ÖZELLİKLER / TECHNICAL SPECIFICATION			
A(mm)	C (mm)	D (mm)	Kalite / Quality
73	46.5	M22x1.5	10.9
Org. No	1 303 1118 10		
Poziyon/ Position			
Somun / Wheel Nut	SOM-0140		
Model			

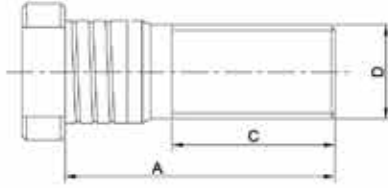
### DRS-30204



TEKNİK ÖZELLİKLER / TECHNICAL SPECIFICATION			
A(mm)	C (mm)	D (mm)	Kalite / Quality
93	51.5	M22x1.5	10.9
Org. No	1 303 10 75 12		
Poziyon/ Position			
Somun / Wheel Nut	SOM-0141		
Model			

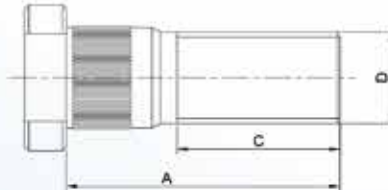
www.apsanbjon.com.tr

## DRS-30205



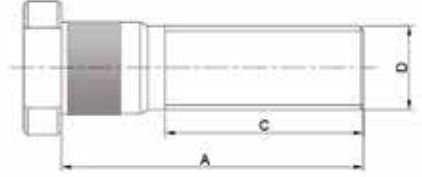
TEKNİK ÖZELLİKLER / TECHNICAL SPECIFICATION			
A(mm)	C (mm)	D (mm)	Kalite / Quality
83	38	M22x1.5	10.9
Org. No			
Poziyon/ Position			
Somun / Wheel Nut	SOM-0141		
Model			

## DRS-30208



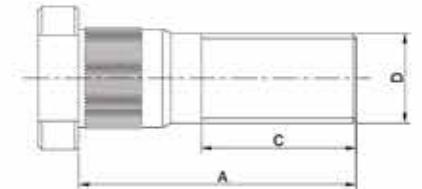
TEKNİK ÖZELLİKLER / TECHNICAL SPECIFICATION			
A(mm)	C (mm)	D (mm)	Kalite / Quality
65.5	39	M22x1.5	10.9
Org. No			
Poziyon/ Position			
Somun / Wheel Nut	SOM-0140		
Model			

## DRS-30207



TEKNİK ÖZELLİKLER / TECHNICAL SPECIFICATION			
A(mm)	C (mm)	D (mm)	Kalite / Quality
79	52	M22x1.5	10.9
Org. No	1303112010		
Poziyon/ Position			
Somun / Wheel Nut	SOM-0140		
Model			

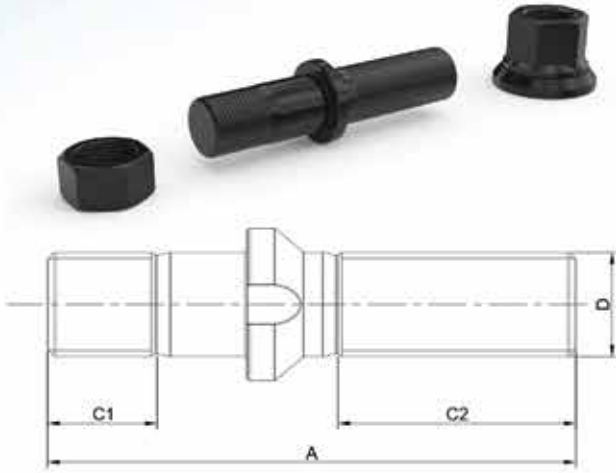
## DRS-30209



TEKNİK ÖZELLİKLER / TECHNICAL SPECIFICATION			
A(mm)	C (mm)	D (mm)	Kalite / Quality
68	38	M22x1.5	10.9
Org. No	1 303 118 11		
Poziyon/ Position			
Somun / Wheel Nut	SOM-0140		
Model			

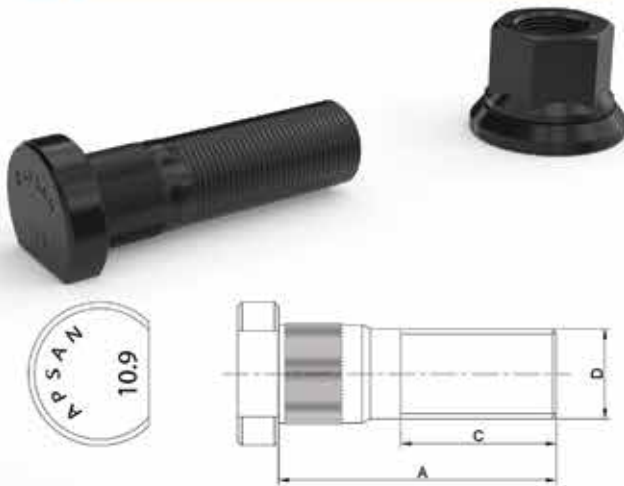
www.apsanbijon.com.tr

## DRS-30210



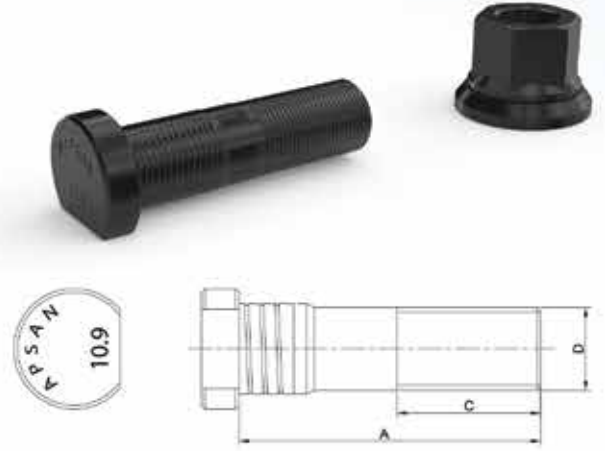
TEKNİK ÖZELLİKLER / TECHNICAL SPECIFICATION			
A(mm)	C (mm)	D (mm)	Kalite / Quality
111	23-50	M22x1.5	10.9
Org. No		1 303 10 40 11 / 1 303 1049 10 / 1 303 1040 10	
Poziyon/ Position			
Somun / Wheel Nut		SOM-0450 / SOM-0141	
Model		SAF	

## DRS-30212



TEKNİK ÖZELLİKLER / TECHNICAL SPECIFICATION			
A(mm)	C (mm)	D (mm)	Kalite / Quality
75	50	M22x1.5	10.9
Org. No			
Poziyon/ Position			
Somun / Wheel Nut		SOM-0140	
Model		SAF DORSE	

## DRS-30211



TEKNİK ÖZELLİKLER / TECHNICAL SPECIFICATION			
A(mm)	C (mm)	D (mm)	Kalite / Quality
80	38	M22x1.5	10.9
Org. No			
Poziyon/ Position			
Somun / Wheel Nut		SOM-0140	
Model			

www.apsanbion.com.tr

APSAN

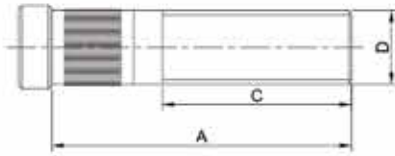


**///APSAN**

**insurance of your life**

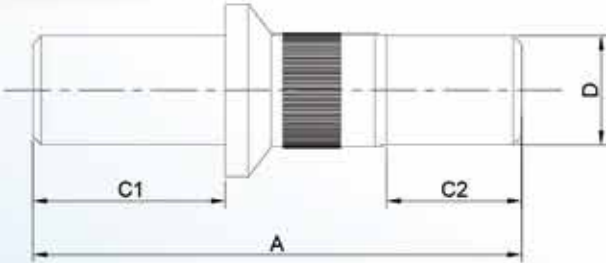


## MIT-AB12-L



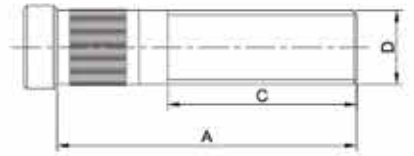
TEKNİK ÖZELLİKLER / TECHNICAL SPECIFICATION			
A(mm)	C (mm)	D (mm)	Kalite / Quality
52	33	M16X1.5	10.9
Org. No			
Pozisyon/ Position			
Somun / Wheel Nut		MIT-AB14-L	
Model		304 - 515	

## MIT-AB16-L



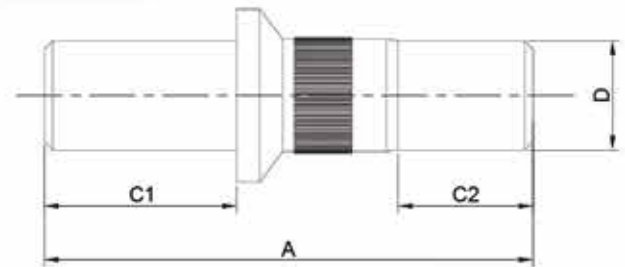
TEKNİK ÖZELLİKLER / TECHNICAL SPECIFICATION			
A(mm)	C (mm)	D (mm)	Kalite / Quality
85	30 - 24	M19x1.5- 3/4"x16	10.9
Org. No			
Pozisyon/ Position		Ön / Front	
Somun / Wheel Nut		MIT-AB23 / MIT-AB21-L	
Model		444-635-835	

## MIT-AB12-R



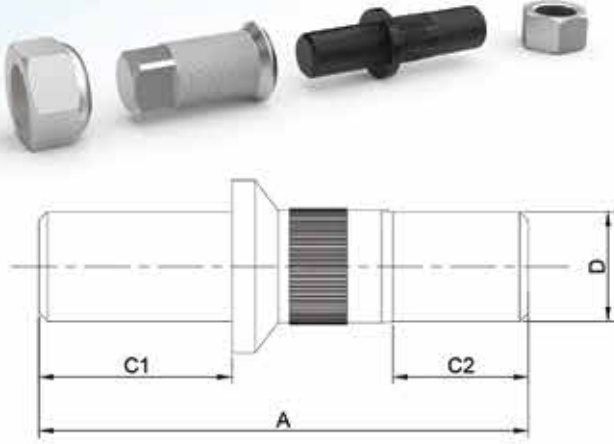
TEKNİK ÖZELLİKLER / TECHNICAL SPECIFICATION			
A(mm)	C (mm)	D (mm)	Kalite / Quality
42	33	M16X1.5	10.9
Org. No			
Pozisyon/ Position			
Somun / Wheel Nut		MIT-AB-14-R	
Model		304 - 515	

## MIT-AB16-R



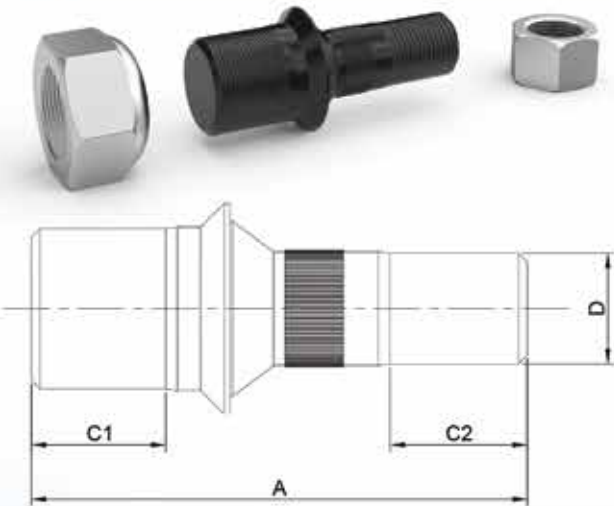
TEKNİK ÖZELLİKLER / TECHNICAL SPECIFICATION			
A(mm)	C (mm)	D (mm)	Kalite / Quality
85	30 - 24	M19x1.5 3/4"x16	10.9
Org. No			
Pozisyon/ Position		Ön / Front	
Somun / Wheel Nut		MIT-AB23 / MIT-AB21-R	
Model		444-635-835	

## MIT-AB17-L



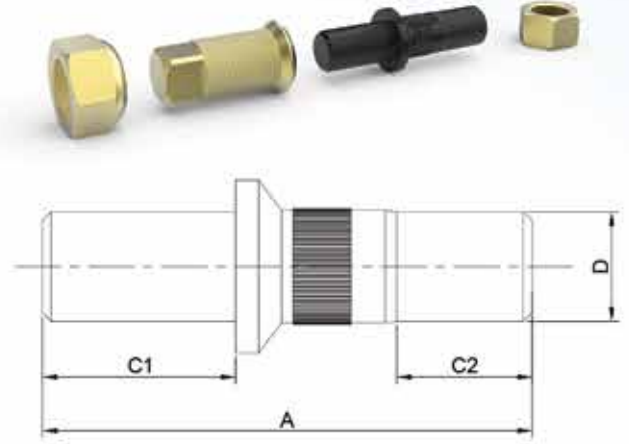
TEKNİK ÖZELLİKLER / TECHNICAL SPECIFICATION			
A(mm)	C (mm)	D (mm)	Kalite / Quality
85	24- 30	3/4"x16 -M19x1.5	10.9
Org. No			
Poziyon/ Position		Arka / Rear	
Somun / Wheel Nut		MIT-AB23 / MIT-AB22-L	
Model		444 - 635 - 835	

## MIT-AB18-L



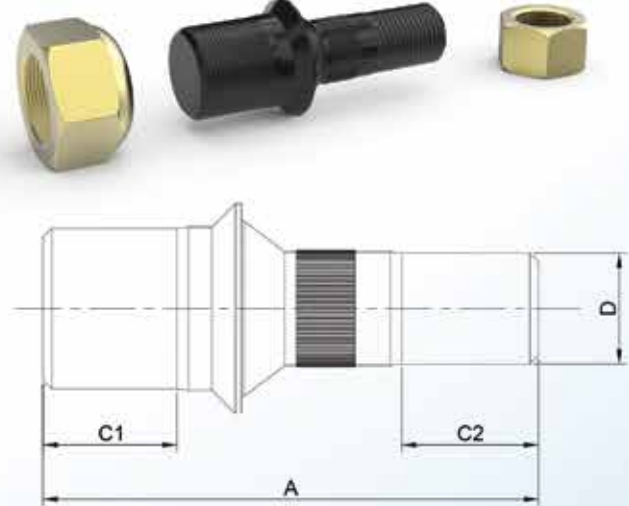
TEKNİK ÖZELLİKLER / TECHNICAL SPECIFICATION			
A(mm)	C (mm)	D (mm)	Kalite / Quality
99	24 - 36	3/4"x16 -M28x1.5	10.9
Org. No			
Poziyon/ Position			
Somun / Wheel Nut		MIT-AB23 / MIT-AB22-L	
Model		444-635-835	

## MIT-AB17-R



TEKNİK ÖZELLİKLER / TECHNICAL SPECIFICATION			
A(mm)	C (mm)	D (mm)	Kalite / Quality
85	33.5-23.5	3/4"x16 -M19x1.5	10.9
Org. No			
Poziyon/ Position		Arka / Rear	
Somun / Wheel Nut		MIT-AB23 / MIT-AB22-R	
Model		444 - 635 - 835	

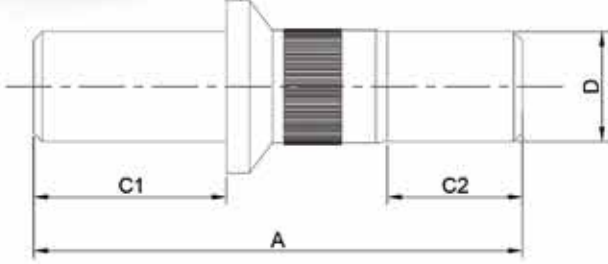
## MIT-AB18-R



TEKNİK ÖZELLİKLER / TECHNICAL SPECIFICATION			
A(mm)	C (mm)	D (mm)	Kalite / Quality
99	24 - 36	3/4"x16 -M28x1.5	10.9
Org. No			
Poziyon/ Position			
Somun / Wheel Nut		MIT-AB23 / MIT-AB22-R	
Model		444-635-835	

www.apsanbijon.com.tr

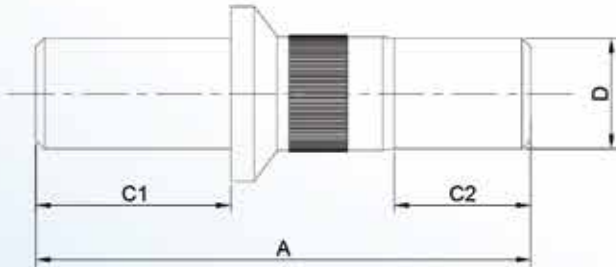
## MIT-AB24-L



### TEKNİK ÖZELLİKLER / TECHNICAL SPECIFICATION

A(mm)	C (mm)	D (mm)	Kalite / Quality
85	30 - 24	3/4"x16 -M20x1.5	10.9
Org. No			
Poziyon/ Position		Ön / Front	
Somun / Wheel Nut		MIT-AB31 / MIT-AB29-L	
Model		449-659-859	

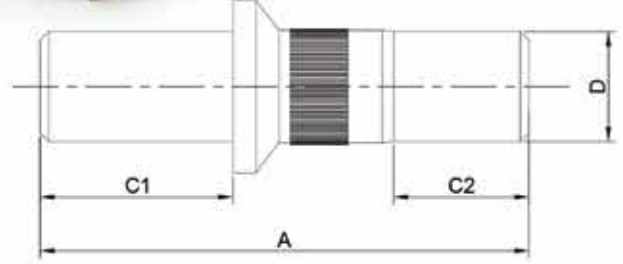
## MIT-AB25-L



### TEKNİK ÖZELLİKLER / TECHNICAL SPECIFICATION

A(mm)	C (mm)	D (mm)	Kalite / Quality
85	24 - 30	3/4"x16 -M20x1.5	10.9
Org. No			
Poziyon/ Position		Arka / Rear	
Somun / Wheel Nut		MIT-AB31 / MIT-AB30-L	
Model		449-659-859	

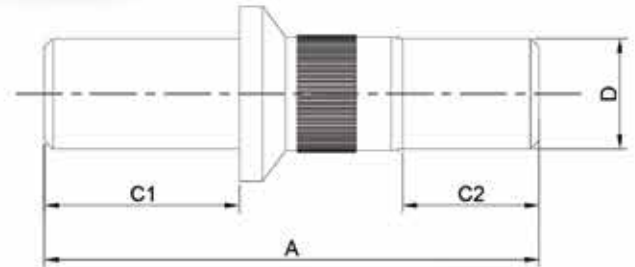
## MIT-AB24-R



### TEKNİK ÖZELLİKLER / TECHNICAL SPECIFICATION

A(mm)	C (mm)	D (mm)	Kalite / Quality
85	30 - 24	3/4"x16 -M20x1.5	10.9
Org. No			
Poziyon/ Position		Ön / Front	
Somun / Wheel Nut		MIT-AB31 / MIT-AB29-R	
Model		449-659-859	

## MIT-AB25-R

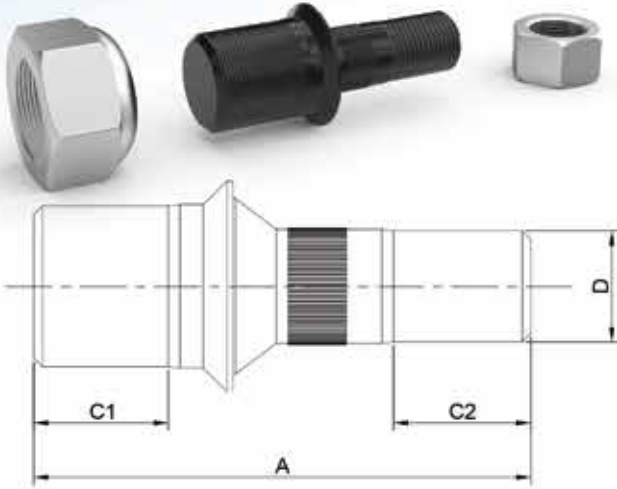


### TEKNİK ÖZELLİKLER / TECHNICAL SPECIFICATION

A(mm)	C (mm)	D (mm)	Kalite / Quality
85	24 - 30	3/4"x16 -M20x1.5	10.9
Org. No			
Poziyon/ Position		Arka / Rear	
Somun / Wheel Nut		MIT-AB31 / MITAB30-R	
Model		449-659-859	



## MIT-AB26-L



### TEKNİK ÖZELLİKLER / TECHNICAL SPECIFICATION

A(mm)	C (mm)	D (mm)	Kalite / Quality
103	24 - 40	3/4"x16 -M30x1.5	10.9
Org. No			
Poziyon/ Position		Arka / Rear	
Somun / Wheel Nut		MIT-AB31 / MIT-AB30-L	
Model		449-659-859	

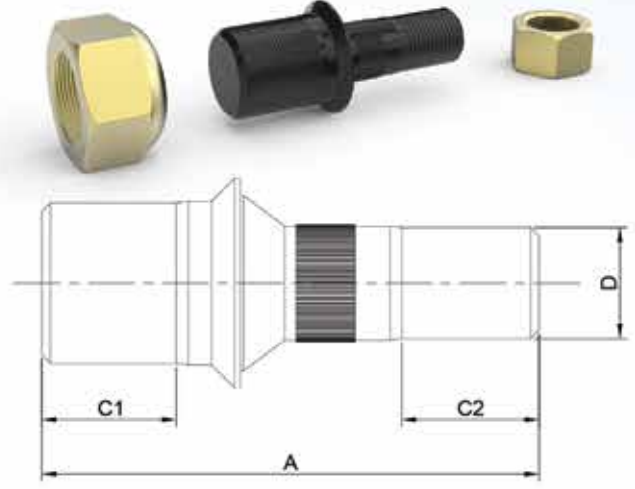
## MIT-AB85



### TEKNİK ÖZELLİKLER / TECHNICAL SPECIFICATION

A(mm)	C (mm)	D (mm)	Kalite / Quality
73	46	22X1.5	10.9
Org. No			
Poziyon/ Position		Ön / Front	
Somun / Wheel Nut		SOM-0140	
Model		TEMSA - SAFİR	

## MIT-AB26-R



### TEKNİK ÖZELLİKLER / TECHNICAL SPECIFICATION

A(mm)	C (mm)	D (mm)	Kalite / Quality
103	24 - 40	3/4"x16 -M30x1.5	10.9
Org. No			
Poziyon/ Position		Arka / Rear	
Somun / Wheel Nut		MIT-AB-31 / MIT-AB30-R	
Model		449 - 659 - 859	

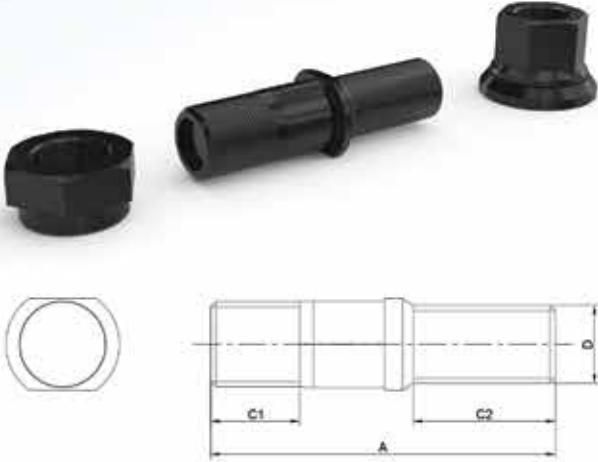
## MIT-AB86



### TEKNİK ÖZELLİKLER / TECHNICAL SPECIFICATION

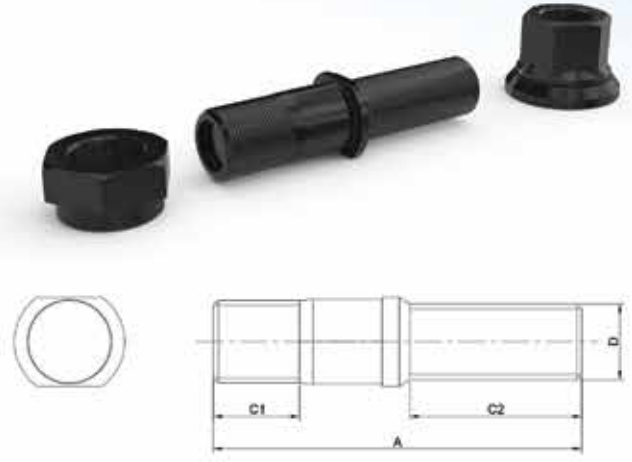
A(mm)	C (mm)	D (mm)	Kalite / Quality
90	52	M22x1.5	10.9
Org. No			
Poziyon/ Position		Arka / Rear	
Somun / Wheel Nut		SOM-0141	
Model		TEMSA - SAFİR	

## MIT-AB95



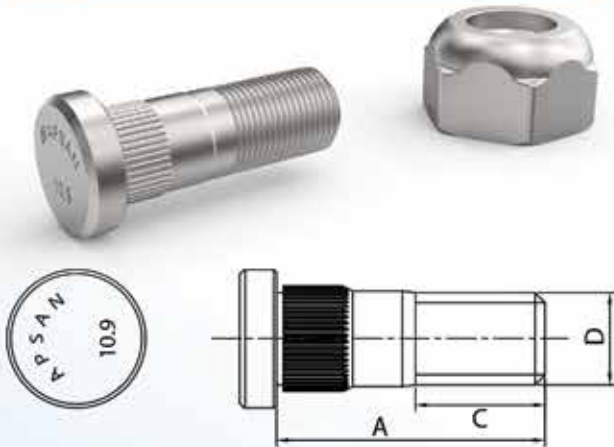
TEKNİK ÖZELLİKLER / TECHNICAL SPECIFICATION			
A(mm)	C (mm)	D (mm)	Kalite / Quality
97	25-40	M24x15 / M22x1.5	10.9
Org. No		MC-808846	
Pozisyon/ Position		Ön / Front	
Somun / Wheel Nut		SOM-0401 / SOM-0141	
Model		MARATON	

## MIT-AB96



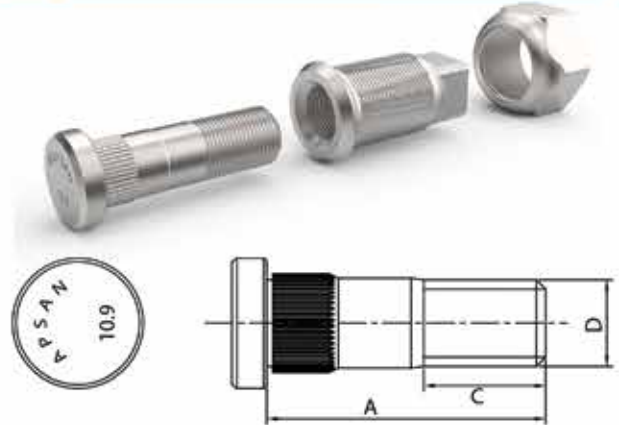
TEKNİK ÖZELLİKLER / TECHNICAL SPECIFICATION			
A(mm)	C (mm)	D (mm)	Kalite / Quality
107	25-50	M24x15 / M22x1.5	10.9
Org. No		MC-808847	
Pozisyon/ Position		Arka / Rear	
Somun / Wheel Nut		SOM-0461 / SOM-0141	
Model		MARATON	

## MIT-AB45-R-L



TEKNİK ÖZELLİKLER / TECHNICAL SPECIFICATION			
A(mm)	C (mm)	D (mm)	Kalite / Quality
58	28	M20x1.5	10.9
Org. No			
Pozisyon/ Position		Ön / Front	
Somun / Wheel Nut		MIT-AB29-R-L	
Model		EURO 5	

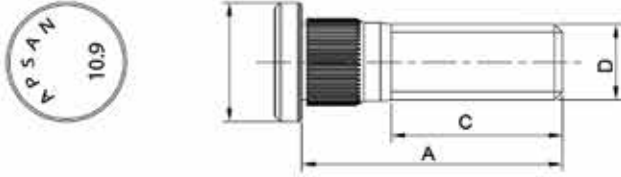
## MIT-AB46-R-L



TEKNİK ÖZELLİKLER / TECHNICAL SPECIFICATION			
A(mm)	C (mm)	D (mm)	Kalite / Quality
64	28	M20x1.5	10.9
Org. No			
Pozisyon/ Position		Arka / Rear	
Somun / Wheel Nut		MIT-AB30-R-L / MIT-AB27-R-L	
Model		EURO 5	

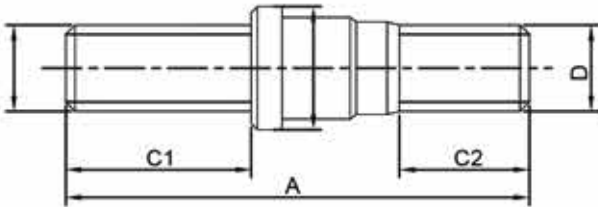
www.apsanbiji.com.tr

## ISB-AB01-L



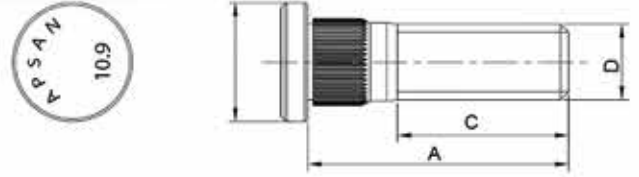
TEKNİK ÖZELLİKLER / TECHNICAL SPECIFICATION			
A(mm)	C (mm)	D (mm)	Kalite / Quality
48	32	M14X1.5	10.9
Org. No			
Poziyon/ Position			
Somun / Wheel Nut	ISB-AB02-L		
Model	NKR 13		

## ISB-AB03-L



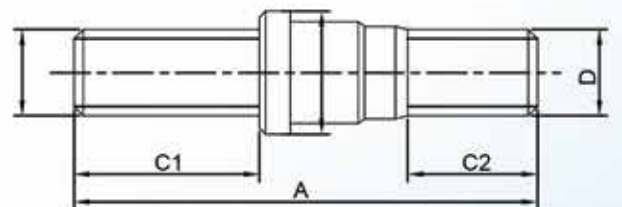
TEKNİK ÖZELLİKLER / TECHNICAL SPECIFICATION			
A(mm)	C (mm)	D (mm)	Kalite / Quality
75	29 - 21	M14X1.5	10.9
Org. No			
Poziyon/ Position	Ön / Front		
Somun / Wheel Nut	ISB-AB32 / ISB-AB29-L		
Model	NKR 55		

## ISB-AB01-R



TEKNİK ÖZELLİKLER / TECHNICAL SPECIFICATION			
A(mm)	C (mm)	D (mm)	Kalite / Quality
48	32	M14X1.5	10.9
Org. No			
Poziyon/ Position			
Somun / Wheel Nut	ISB-AB02-R		
Model	NKR 13		

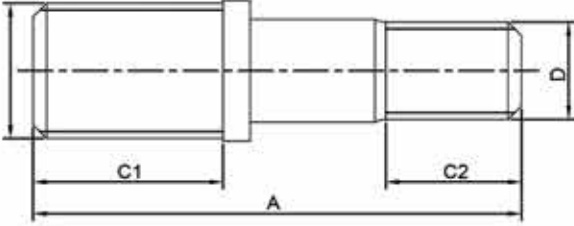
## ISB-AB03-R



TEKNİK ÖZELLİKLER / TECHNICAL SPECIFICATION			
A(mm)	C (mm)	D (mm)	Kalite / Quality
75	29-21	M14X1.5	10.9
Org. No			
Poziyon/ Position	Ön / Front		
Somun / Wheel Nut	ISB-AB32 / ISB-AB29-R		
Model	NKR 55		

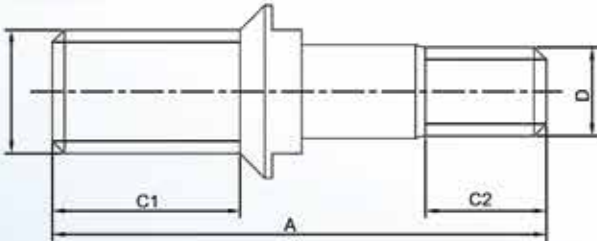
www.apsanbijon.com.tr

## ISB-AB06-L



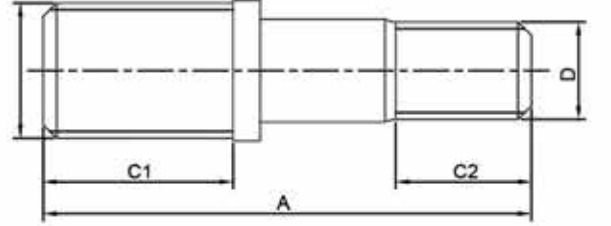
TEKNİK ÖZELLİKLER / TECHNICAL SPECIFICATION			
A(mm)	C (mm)	D (mm)	Kalite / Quality
90	36 - 23	M18X1.5 M25x1.5	10.9
Org. No			
Poziyon/ Position		Ön / Front	
Somun / Wheel Nut		ISB-AB12 / ISB-AB11-L	
Model		NPR 59	

## ISB-AB07-L



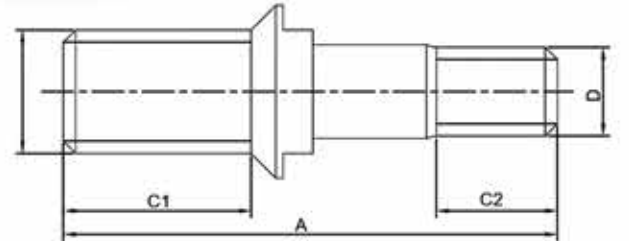
TEKNİK ÖZELLİKLER / TECHNICAL SPECIFICATION			
A(mm)	C (mm)	D (mm)	Kalite / Quality
100	39 - 25	M18x1.5 M25x1.5	10.9
Org. No			
Poziyon/ Position		Arka / Rear	
Somun / Wheel Nut		ISB-AB12 / ISB-AB11-L	
Model		NPR	

## ISB-AB06-R



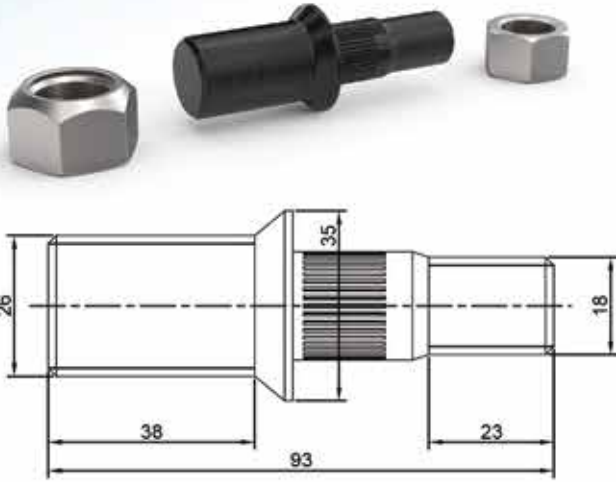
TEKNİK ÖZELLİKLER / TECHNICAL SPECIFICATION			
A(mm)	C (mm)	D (mm)	Kalite / Quality
90	36 - 23	M18x1.5 M25X1.5	10.9
Org. No			
Poziyon/ Position		Ön / Front	
Somun / Wheel Nut		ISB-AB12 / ISB-AB11-R	
Model		NPR 59	

## ISB-AB07-R



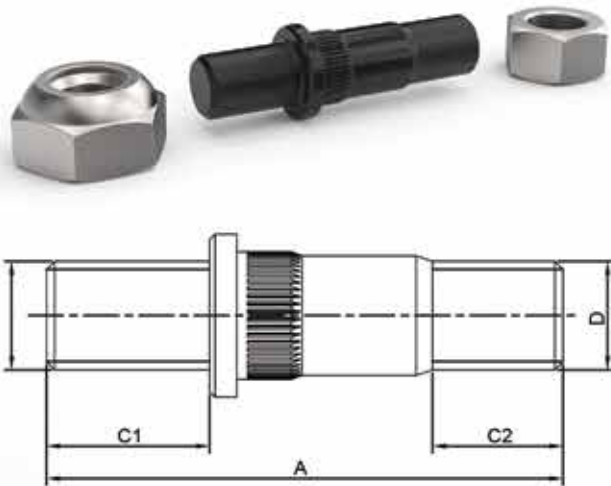
TEKNİK ÖZELLİKLER / TECHNICAL SPECIFICATION			
A(mm)	C (mm)	D (mm)	Kalite / Quality
100	39 - 25	M18x1.5 M25x1.5	10.9
Org. No			
Poziyon/ Position		Arka / Rear	
Somun / Wheel Nut		ISB-AB12 / ISB-AB11-R	
Model		NPR	

### ISB-AB08-L



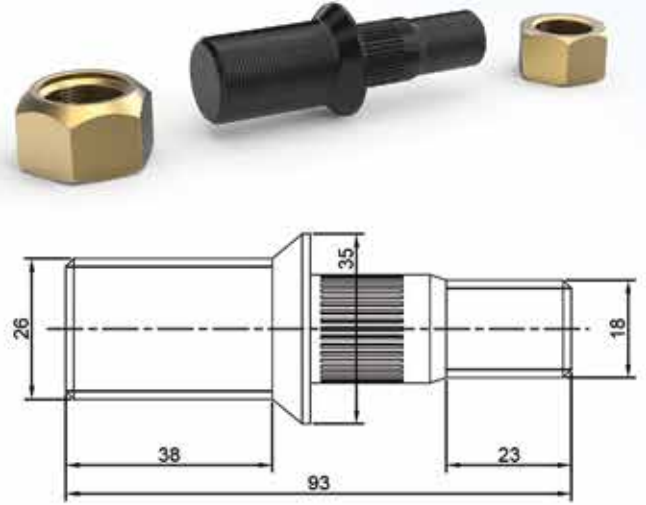
TEKNİK ÖZELLİKLER / TECHNICAL SPECIFICATION			
A(mm)	C (mm)	D (mm)	Kalite / Quality
94	38-23	M18X1.5 M25x1.5	10.9
Org. No			
Pozisyon/ Position		Arka / Rear	
Somun / Wheel Nut		ISB-AB12 / ISB-AB11-L	
Model		NPR 59 Y.M.	

### ISB-AB13-L / ISB-AB18-L



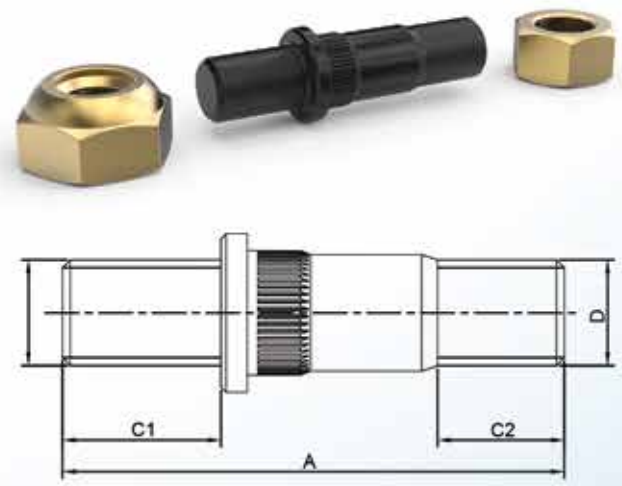
TEKNİK ÖZELLİKLER / TECHNICAL SPECIFICATION			
A(mm)	C (mm)	D (mm)	Kalite / Quality
92	29 - 24	M22X1.5 M20X1.5	10.9
Org. No			
Pozisyon/ Position		Ön / Front	
Somun / Wheel Nut		ISB-AB17 / ISB-AB15-R	
Model		NPR66 / NQR	

### ISB-AB08-R



TEKNİK ÖZELLİKLER / TECHNICAL SPECIFICATION			
A(mm)	C (mm)	D (mm)	Kalite / Quality
93	38 - 23	M18x1.5 M25X1.5	10.9
Org. No			
Pozisyon/ Position		Arka / Rear	
Somun / Wheel Nut		ISB-AB12 / ISB-AB11-R	
Model		NPR59 Y.M.	

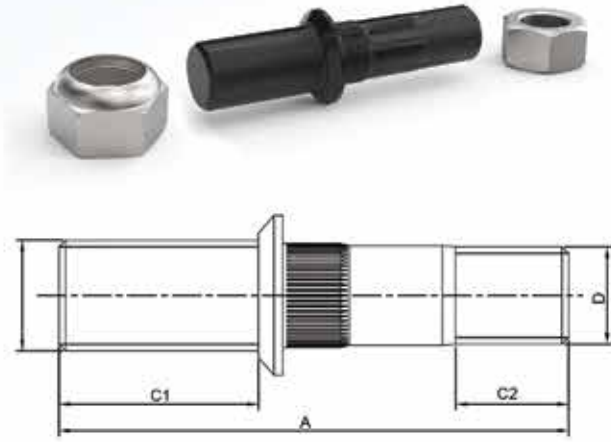
### ISB-AB13-R / ISB-AB18-R



TEKNİK ÖZELLİKLER / TECHNICAL SPECIFICATION			
A(mm)	C (mm)	D (mm)	Kalite / Quality
92	29 - 24	M22X1.5 M20x1.5	10.9
Org. No			
Pozisyon/ Position		Ön / Front	
Somun / Wheel Nut		ISB-AB17 / ISB-AB15-L	
Model		NPR66 / NQR	

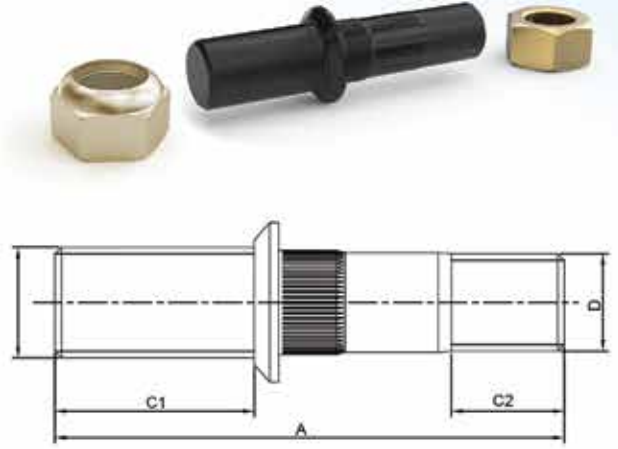
www.apsambijon.com.tr

## ISB-AB14-L



TEKNİK ÖZELLİKLER / TECHNICAL SPECIFICATION			
A(mm)	C (mm)	D (mm)	Kalite / Quality
114	43 - 27	M22X1.5 M25x1.5	10.9
Org. No			
Pozisyon/ Position		Arka / Rear	
Somun / Wheel Nut		ISB-AB17 / ISB-AB16-L	
Model		NPR66 CHAMPION	

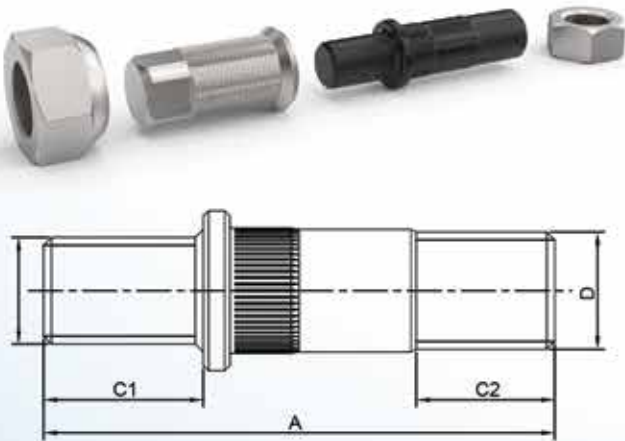
## ISB-AB14-R



TEKNİK ÖZELLİKLER / TECHNICAL SPECIFICATION			
A(mm)	C (mm)	D (mm)	Kalite / Quality
114	43 - 27	M22X1.5 M25x1.5	10.9
Org. No			
Pozisyon/ Position		Arka / Rear	
Somun / Wheel Nut		ISB-AB17 / ISB-AB16-L	
Model		NPR66 CHAMPION	

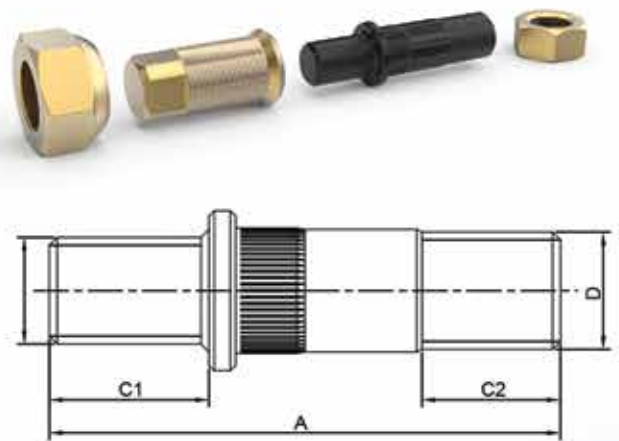
www.apsanbjon.com.tr

## ISB-AB19-L



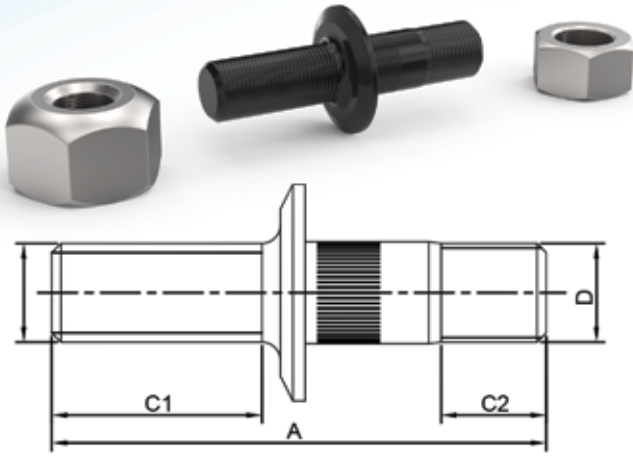
TEKNİK ÖZELLİKLER / TECHNICAL SPECIFICATION			
A(mm)	C (mm)	D (mm)	Kalite / Quality
93	30 - 26	M22x1.5 M20x1.5	10.9
Org. No			
Pozisyon/ Position		Arka / Rear	
Somun / Wheel Nut		ISB-AB23 / ISB-AB22-L	
Model		NQR TURKUAZ	

## ISB-AB19-R



TEKNİK ÖZELLİKLER / TECHNICAL SPECIFICATION			
A(mm)	C (mm)	D (mm)	Kalite / Quality
93	30 - 26	M22x1.5 M20x1.5	10.9
Org. No			
Pozisyon/ Position		Arka / Rear	
Somun / Wheel Nut		ISB-AB23 / ISB-AB22-R	
Model		NQR TURKUAZ	

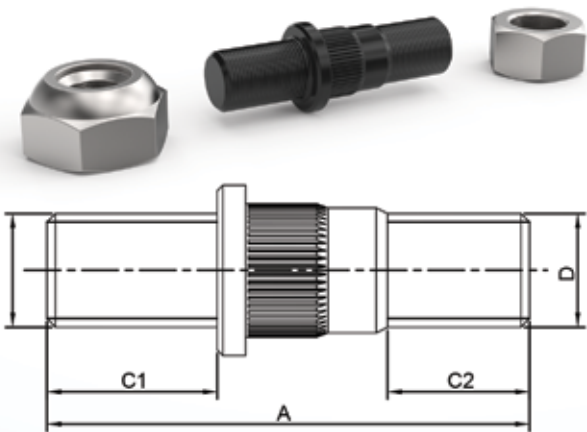
### ISB-AB28-L



#### TEKNİK ÖZELLİKLER / TECHNICAL SPECIFICATION

A(mm)	C (mm)	D (mm)	Kalite / Quality
80	35 - 17	M16X1.5 M16x1.5	10.9
Org. No			
Poziyon/ Position		Arka / Rear	
Somun / Wheel Nut		ISB-AB05 / ISB-AB04-L	
Model		NKR 55	

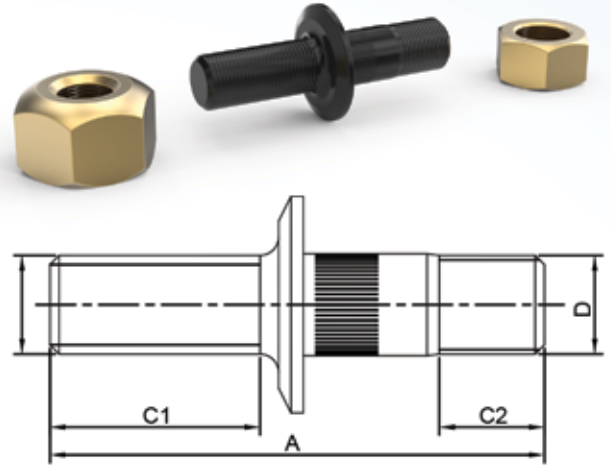
### ISB-AB30-L



#### TEKNİK ÖZELLİKLER / TECHNICAL SPECIFICATION

A(mm)	C (mm)	D (mm)	Kalite / Quality
78	30 - 20	M20X1.5 M18x1.5	10.9
Org. No			
Poziyon/ Position		Ön / Front	
Somun / Wheel Nut		ISB-AB36 / ISB-AB33-L	
Model		NLR	

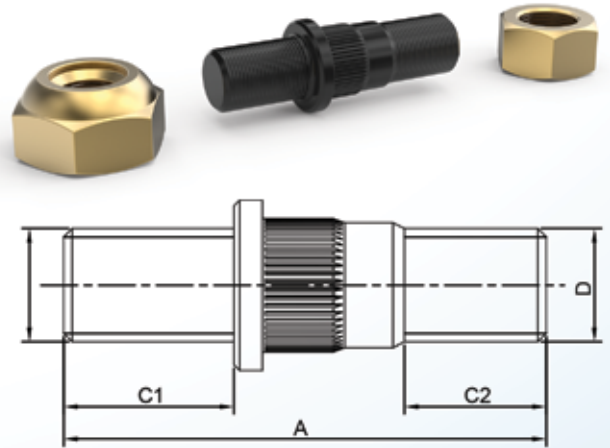
### ISB-AB28-R



#### TEKNİK ÖZELLİKLER / TECHNICAL SPECIFICATION

A(mm)	C (mm)	D (mm)	Kalite / Quality
80	35 - 17	M16X1.5 M16x1.5	10.9
Org. No			
Poziyon/ Position		Arka / Rear	
Somun / Wheel Nut		ISB-AB05 / ISB-AB04-R	
Model		NKR 55	

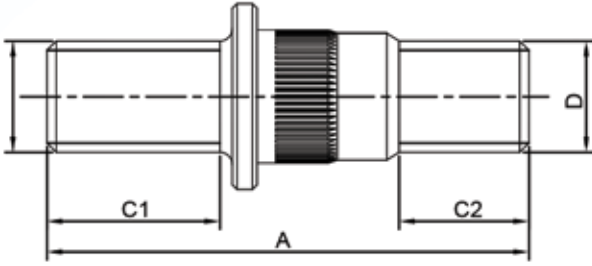
### ISB-AB30-R



#### TEKNİK ÖZELLİKLER / TECHNICAL SPECIFICATION

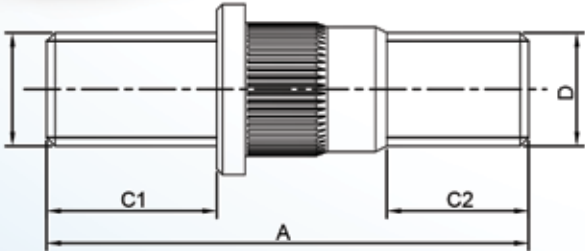
A(mm)	C (mm)	D (mm)	Kalite / Quality
78	30 - 20	M20X1.5 M18x1.5	10.9
Org. No			
Poziyon/ Position		Ön / Front	
Somun / Wheel Nut		ISB-AB36 / ISB-AB33-R	
Model		NLR	

## ISB-AB31-L



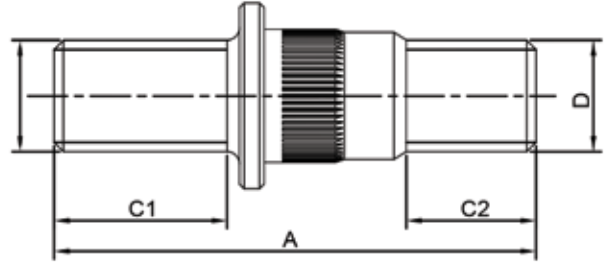
TEKNİK ÖZELLİKLER / TECHNICAL SPECIFICATION			
A(mm)	C (mm)	D (mm)	Kalite / Quality
78	30 - 20	M20x1.5 M18x1.5	10.9
Org. No			
Pozisyon/ Position		Arka / Rear	
Somun / Wheel Nut		ISB-AB36 / ISB-AB34-L	
Model		NLR	

## ISB-AB39-L



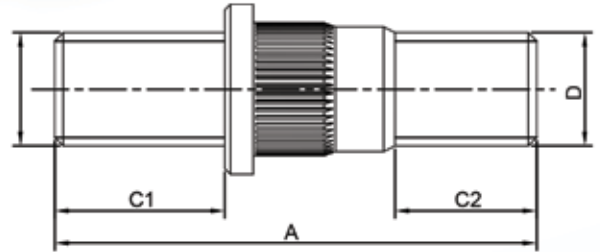
TEKNİK ÖZELLİKLER / TECHNICAL SPECIFICATION			
A(mm)	C (mm)	D (mm)	Kalite / Quality
85	30 - 23	M22X1.5 M20x1.5	10.9
Org. No			
Pozisyon/ Position		Ön / Front	
Somun / Wheel Nut		ISB-AB44 / ISB-AB42-L	
Model		NPR75 / NOVA	

## ISB-AB31-L



TEKNİK ÖZELLİKLER / TECHNICAL SPECIFICATION			
A(mm)	C (mm)	D (mm)	Kalite / Quality
78	30 - 20	M20x1.5 M18x1.5	10.9
Org. No			
Pozisyon/ Position		Arka / Rear	
Somun / Wheel Nut		ISB-AB36 / ISB-AB34-R	
Model		NLR	

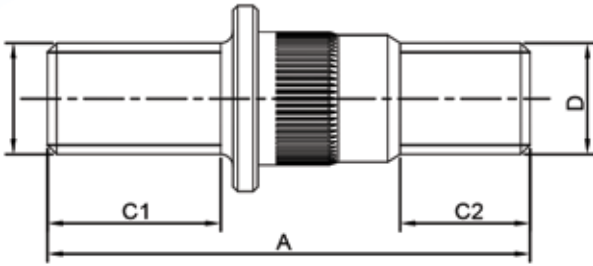
## ISB-AB39-R



TEKNİK ÖZELLİKLER / TECHNICAL SPECIFICATION			
A(mm)	C (mm)	D (mm)	Kalite / Quality
85	30 - 23	M22X1.5 M20x1.5	10.9
Org. No			
Pozisyon/ Position		Ön / Front	
Somun / Wheel Nut		ISB-AB44 / ISB-AB42-R	
Model		NPR75 / NOVA	



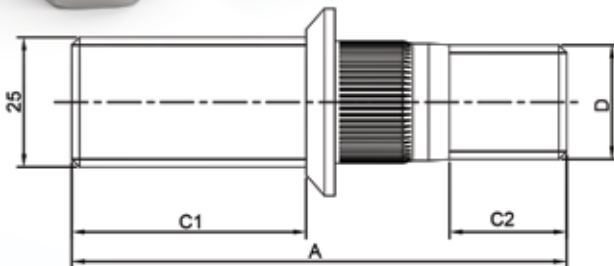
## ISB-AB40-L



## TEKNİK ÖZELLİKLER / TECHNICAL SPECIFICATION

A(mm)	C (mm)	D (mm)	Kalite / Quality
85	30 - 23	M22X1.5 M20x1.5	10.9
Org. No			
Poziyon/ Position		Arka / Rear	
Somun / Wheel Nut		ISB-AB44 / ISB-AB43-L	
Model		NOVA - NPR75	

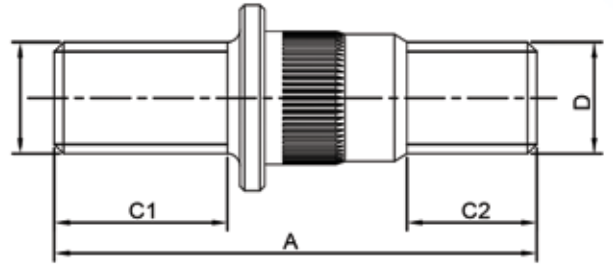
## ISB-AB48-L



## TEKNİK ÖZELLİKLER / TECHNICAL SPECIFICATION

A(mm)	C (mm)	D (mm)	Kalite / Quality
100	40 - 22	M22X1.5 M30x1.5	10.9
Org. No			
Poziyon/ Position		Arka / Rear	
Somun / Wheel Nut		ISB-AB44 / ISB-AB43-L	
Model		NOVA - NPR75	

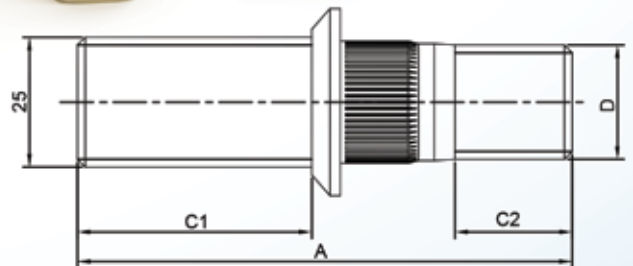
## ISB-AB40-R



## TEKNİK ÖZELLİKLER / TECHNICAL SPECIFICATION

A(mm)	C (mm)	D (mm)	Kalite / Quality
85	30 - 23	M22X1.5 M20x1.5	10.9
Org. No			
Poziyon/ Position		Arka / Rear	
Somun / Wheel Nut		ISB-AB44 / ISB-AB43-R	
Model		NOVA - NPR75	

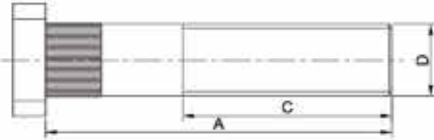
## ISB-AB48-R



## TEKNİK ÖZELLİKLER / TECHNICAL SPECIFICATION

A(mm)	C (mm)	D (mm)	Kalite / Quality
100	40 - 22	M22X1.5 M30x1.5	10.9
Org. No			
Poziyon/ Position		Arka / Rear	
Somun / Wheel Nut		ISB-AB44 / ISB-AB43-r	
Model		NOVA - NPR75	

### OTK-80126



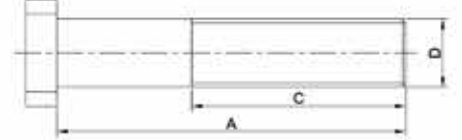
TEKNİK ÖZELLİKLER / TECHNICAL SPECIFICATION			
A(mm)	C (mm)	D (mm)	Kalite / Quality
79.5	48	M18X1.5	10.9
Org. No			
Poziyon/ Position		Arka / Rear	
Somun / Wheel Nut		SOM-0320	
Model		MAGIRUS	

### OTK-80128



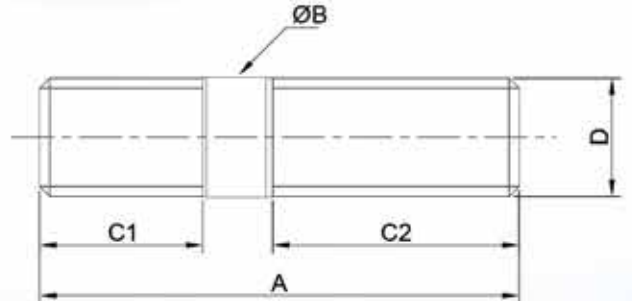
TEKNİK ÖZELLİKLER / TECHNICAL SPECIFICATION			
A(mm)	C (mm)	D (mm)	Kalite / Quality
84	50	M18X1.5	10.9
Org. No		3714027071	
Poziyon/ Position		Arka / Rear	
Somun / Wheel Nut		SOM-0120	
Model		SULTAN	

### OTK-80127



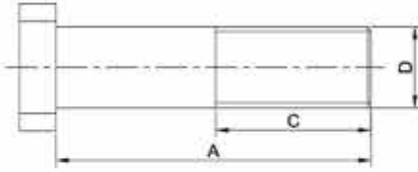
TEKNİK ÖZELLİKLER / TECHNICAL SPECIFICATION			
A(mm)	C (mm)	D (mm)	Kalite / Quality
73	51.5	M18X1.5	10.9
Org. No			
Poziyon/ Position		Ön / Front	
Somun / Wheel Nut		SOM-0220	
Model			

### OTK-80129



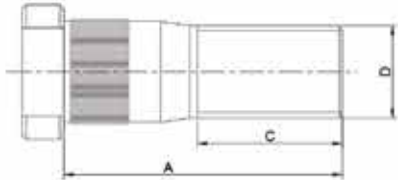
TEKNİK ÖZELLİKLER / TECHNICAL SPECIFICATION			
A(mm)	C (mm)	D (mm)	Kalite / Quality
72	24.5-37	M18x1.5	10.9
Org. No			
Poziyon/ Position		Arka / Rear	
Somun / Wheel Nut		SOM-0320	
Model		MAGIRUS	

### OTK-80130



TEKNİK ÖZELLİKLER / TECHNICAL SPECIFICATION			
A(mm)	C (mm)	D (mm)	Kalite / Quality
64	31.5	M18X1.5	10.9
Org. No			
Poziyon/ Position	Arka / Rear		
Somun / Wheel Nut	SOM-0220		
Model			

### CHR-4136



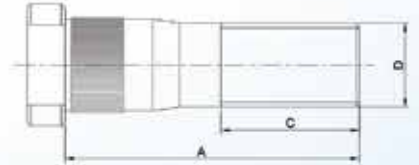
TEKNİK ÖZELLİKLER / TECHNICAL SPECIFICATION			
A(mm)	C (mm)	D (mm)	Kalite / Quality
73	38	M20x1.5	10.9
Org. No			
Poziyon/ Position	--		
Somun / Wheel Nut	SOM-0332		
Model			

### FW-101102



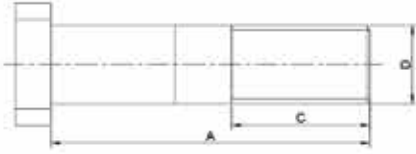
TEKNİK ÖZELLİKLER / TECHNICAL SPECIFICATION			
A(mm)	C (mm)	D (mm)	Kalite / Quality
119	60	M22x1.5	10.9
Org. No			
Poziyon/ Position	Arka / Rear		
Somun / Wheel Nut	SOM-0141		
Model	FAW		

### CHR-5135



TEKNİK ÖZELLİKLER / TECHNICAL SPECIFICATION			
A(mm)	C (mm)	D (mm)	Kalite / Quality
85	40	M20x1.5	10.9
Org. No			
Poziyon/ Position	--		
Somun / Wheel Nut	SOM-0332		
Model			

### HW-90125



#### TEKNİK ÖZELLİKLER / TECHNICAL SPECIFICATION

A(mm)	C (mm)	D (mm)	Kalite / Quality
90	39	M22x1.5	10.9
Org. No			
Pozisyon/ Position		Ön / Front	
Somun / Wheel Nut		SOM-0141	
Model		HOWO	

### HW-90126



#### TEKNİK ÖZELLİKLER / TECHNICAL SPECIFICATION

A(mm)	C (mm)	D (mm)	Kalite / Quality
112	39	M22x1.5	10.9
Org. No			
Pozisyon/ Position		Arka / Rear	
Somun / Wheel Nut		SOM-0141	
Model		HOWO	

www.apsanbjon.com.tr

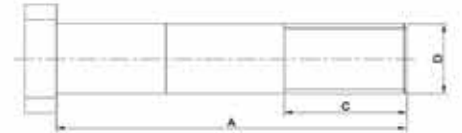
### KM-0515



#### TEKNİK ÖZELLİKLER / TECHNICAL SPECIFICATION

A(mm)	C (mm)	D (mm)	Kalite / Quality
65	38	M20x1.5	10.9
Org. No			
Pozisyon/ Position			
Somun / Wheel Nut		SOM-0332	
Model		KOMATSU	

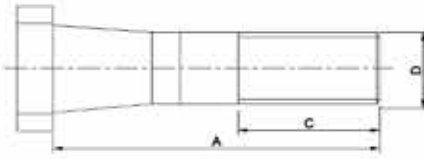
### KM-0516



#### TEKNİK ÖZELLİKLER / TECHNICAL SPECIFICATION

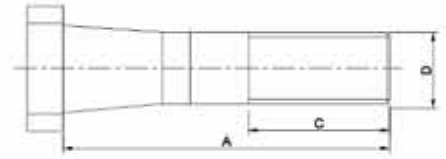
A(mm)	C (mm)	D (mm)	Kalite / Quality
75	43	M20x1.5	10.9
Org. No			
Pozisyon/ Position			
Somun / Wheel Nut		SOM-0332	
Model			

### KM-80125



TEKNİK ÖZELLİKLER / TECHNICAL SPECIFICATION			
A(mm)	C (mm)	D (mm)	Kalite / Quality
85	53	M22x1.5	10.9
Org. No			
Poziyon/ Position		Ön / Front	
Somun / Wheel Nut		SOM-0141	
Model		KAMAZ	

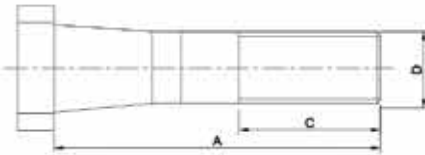
### KM-80126



TEKNİK ÖZELLİKLER / TECHNICAL SPECIFICATION			
A(mm)	C (mm)	D (mm)	Kalite / Quality
106	63	M22x1.5	10.9
Org. No			
Poziyon/ Position		Arka / Rear	
Somun / Wheel Nut		SOM-0141	
Model		KAMAZ	

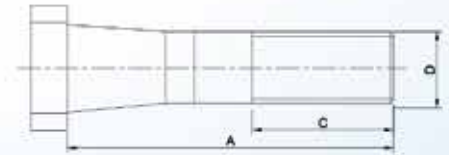
www.apsanbijon.com.tr

### MZ-60125



TEKNİK ÖZELLİKLER / TECHNICAL SPECIFICATION			
A(mm)	C (mm)	D (mm)	Kalite / Quality
90	50	M22x1.5	10.9
Org. No			
Poziyon/ Position		Ön / Front	
Somun / Wheel Nut		SOM-0141	
Model		MAZ-ÖN	

### MZ-60126



TEKNİK ÖZELLİKLER / TECHNICAL SPECIFICATION			
A(mm)	C (mm)	D (mm)	Kalite / Quality
105	50	M22x1.5	10.9
Org. No			
Poziyon/ Position		Arka / Rear	
Somun / Wheel Nut		SOM-0141	
Model		MAZ-ARKA	

### DRS-30125



TEKNİK ÖZELLİKLER / TECHNICAL SPECIFICATION			
A(mm)	C (mm)	D (mm)	Kalite / Quality
110	50	M22x1.5	10.9
Org. No			
Poziyon/ Position		Arka / Rear	
Somun / Wheel Nut		SOM-0241	
Model		OSMAN KOÇ - ÖZKOÇ - CEYLAN - SERTEL	

### DRS-30127



TEKNİK ÖZELLİKLER / TECHNICAL SPECIFICATION			
A(mm)	C (mm)	D (mm)	Kalite / Quality
110	50	M22x2	10.9
Org. No			
Poziyon/ Position		Arka / Rear	
Somun / Wheel Nut		SOM-0241	
Model		DORSE	

### DRS-30126



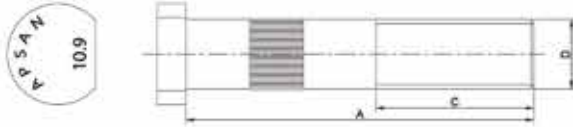
TEKNİK ÖZELLİKLER / TECHNICAL SPECIFICATION			
A(mm)	C (mm)	D (mm)	Kalite / Quality
110	50	M22x1.5	10.9
Org. No			
Poziyon/ Position		Arka / Rear	
Somun / Wheel Nut		SOM-0241	
Model		OSMAN KOÇ - ÖZKOÇ - CEYLAN - SERTEL	

### DRS-30128-1



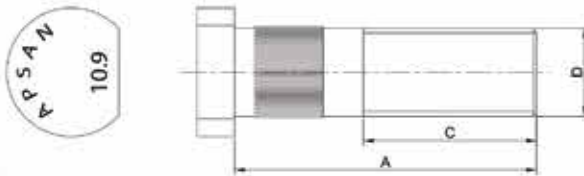
TEKNİK ÖZELLİKLER / TECHNICAL SPECIFICATION			
A(mm)	C (mm)	D (mm)	Kalite / Quality
110	50	M22x1.5	10.9
Org. No			
Poziyon/ Position		Arka / Rear	
Somun / Wheel Nut		SOM-0141	
Model		OSMAN KOÇ - ÖZKOÇ - CEYLAN - SERTEL	

### DRS-30129-1



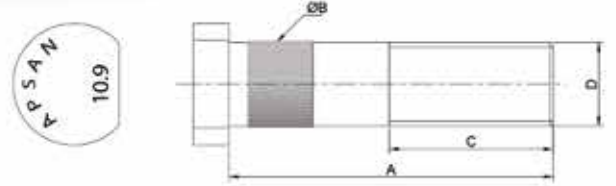
TEKNİK ÖZELLİKLER / TECHNICAL SPECIFICATION			
A(mm)	C (mm)	D (mm)	Kalite / Quality
110	50	M22x1.5	10.9
Org. No			
Poziyon/ Position		Arka / Rear	
Somun / Wheel Nut		SOM-0141	
Model		OSMAN KOÇ - ÖZKOÇ - CEYLAN - SERTEL	

### DRS-30145



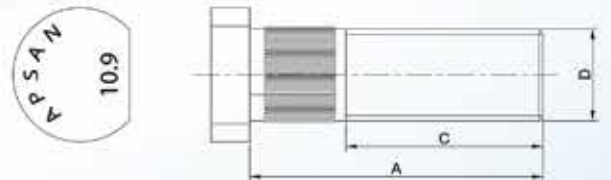
TEKNİK ÖZELLİKLER / TECHNICAL SPECIFICATION			
A(mm)	C (mm)	D (mm)	Kalite / Quality
75	43	M22x1.5	10.9
Org. No			
Poziyon/ Position		Arka / Rear	
Somun / Wheel Nut		SOM-0141	
Model		PİLOT	

### DRS-30144



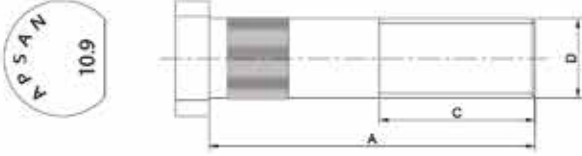
TEKNİK ÖZELLİKLER / TECHNICAL SPECIFICATION			
A(mm)	C (mm)	D (mm)	Kalite / Quality
85	43	M22x2	10.9
Org. No			
Poziyon/ Position		Arka / Rear	
Somun / Wheel Nut		SOM-0141	
Model		PİLOT	

### DRS-30146



TEKNİK ÖZELLİKLER / TECHNICAL SPECIFICATION			
A(mm)	C (mm)	D (mm)	Kalite / Quality
70	47	M22x1.5	10.9
Org. No			
Poziyon/ Position		Arka / Rear	
Somun / Wheel Nut		SOM-0140	
Model		ÖZKOÇ - SERTEL	

### DRS-30147



TEKNİK ÖZELLİKLER / TECHNICAL SPECIFICATION			
A(mm)	C (mm)	D (mm)	Kalite / Quality
90	43	M22x1.5	10.9
Org. No			
Pozisyon/ Position	Arka / Rear		
Somun / Wheel Nut	SOM-0141		
Model	PİLOT		

### DRS-30150



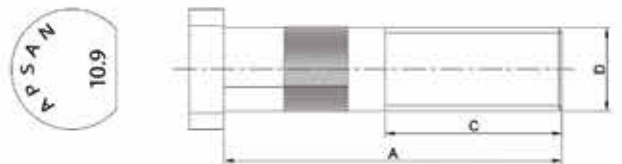
TEKNİK ÖZELLİKLER / TECHNICAL SPECIFICATION			
A(mm)	C (mm)	D (mm)	Kalite / Quality
100	43	M22x1.5	10.9
Org. No			
Pozisyon/ Position	Arka / Rear		
Somun / Wheel Nut	SOM-0141		
Model	SERİN - AYDIN		

### DRS-30149



TEKNİK ÖZELLİKLER / TECHNICAL SPECIFICATION			
A(mm)	C (mm)	D (mm)	Kalite / Quality
90	43	M22x1.5	10.9
Org. No			
Pozisyon/ Position	Arka / Rear		
Somun / Wheel Nut	SOM-0141		
Model	SERİN - AYDIN		

### DRS-30151

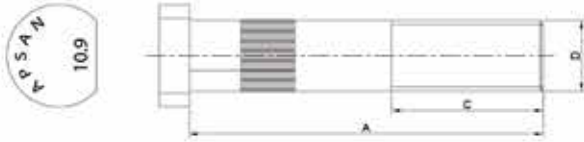


TEKNİK ÖZELLİKLER / TECHNICAL SPECIFICATION			
A(mm)	C (mm)	D (mm)	Kalite / Quality
90	47	M22x1.5	10.9
Org. No			
Pozisyon/ Position			
Somun / Wheel Nut	SOM-0141		
Model	SERTEL - ÖZKOÇ		

www.apsanbija.com.tr



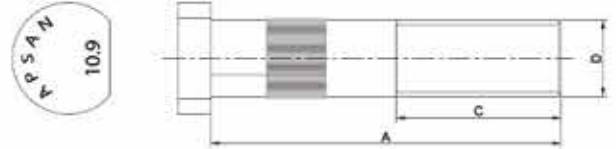
### DRS-30152



#### TEKNİK ÖZELLİKLER / TECHNICAL SPECIFICATION

A(mm)	C (mm)	D (mm)	Kalite / Quality
100	50	M22x1.5	10.9
Org. No			
Poziyon/ Position			
Somun / Wheel Nut		SOM-0141	
Model		SERTEL - ÖZKOÇ	

### DRS-30153

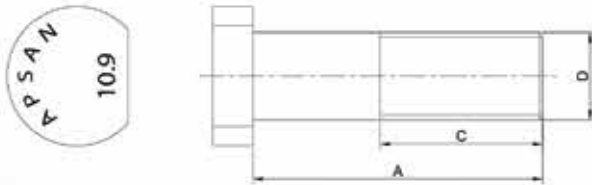


#### TEKNİK ÖZELLİKLER / TECHNICAL SPECIFICATION

A(mm)	C (mm)	D (mm)	Kalite / Quality
110	47	M22x1.5	10.9
Org. No			
Poziyon/ Position		Arka / Rear	
Somun / Wheel Nut		SOM-0141	
Model		ÖZKOÇ - SERTEL	

www.apsanbijon.com.tr

### DRS-30155



#### TEKNİK ÖZELLİKLER / TECHNICAL SPECIFICATION

A(mm)	C (mm)	D (mm)	Kalite / Quality
73	41	M22x1.5	10.9
Org. No			
Poziyon/ Position		Arka / Rear	
Somun / Wheel Nut		SOM-0140	
Model		SERİN - AYDIN	

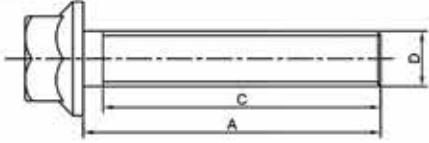
### DRS-30156



#### TEKNİK ÖZELLİKLER / TECHNICAL SPECIFICATION

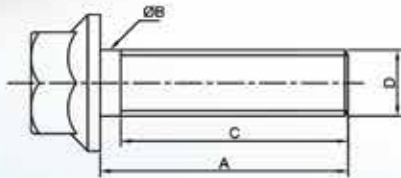
A(mm)	C (mm)	D (mm)	Kalite / Quality
107	43	M22x1.5	10.9
Org. No			
Poziyon/ Position		Arka / Rear	
Somun / Wheel Nut		SOM-0141	
Model		SERİN - AYDIN	

### APS-101



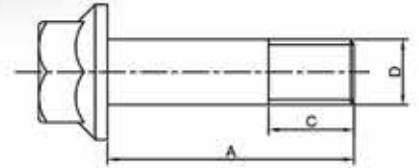
TEKNİK ÖZELLİKLER / TECHNICAL SPECIFICATION			
A(mm)	C (mm)	D (mm)	Kalite / Quality
75	70	M14x1.5	10.9
Org. No			
Pozisyon/ Position	Arka / Rear		
Somun / Wheel Nut			
Model	YILDIZ BAŞLI DİSK CİVATASI		

### APS-103



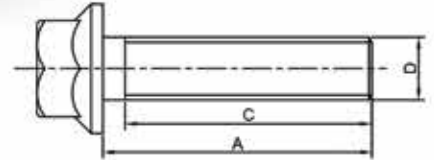
TEKNİK ÖZELLİKLER / TECHNICAL SPECIFICATION			
A(mm)	C (mm)	D (mm)	Kalite / Quality
60	55	M16x1.5	10.9
Org. No			
Pozisyon/ Position	Arka / Rear		
Somun / Wheel Nut			
Model	ANAHTAR BAŞLI DİSK CİVATASI		

### APS-102



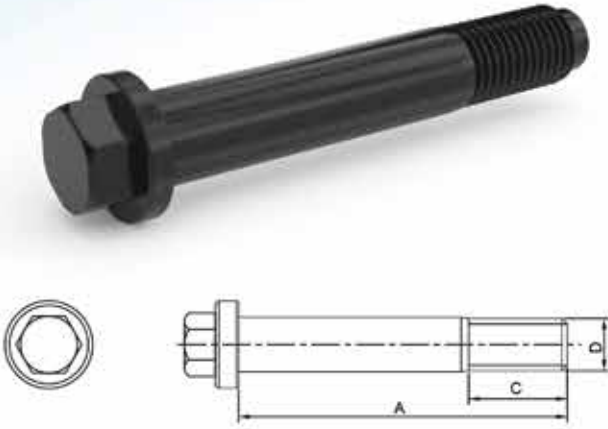
TEKNİK ÖZELLİKLER / TECHNICAL SPECIFICATION			
A(mm)	C (mm)	D (mm)	Kalite / Quality
60	20.75	M16x1.5	10.9
Org. No			
Pozisyon/ Position	Arka / Rear		
Somun / Wheel Nut			
Model	DİSK DENGELEYİCİ VİDA		

### APS-104



TEKNİK ÖZELLİKLER / TECHNICAL SPECIFICATION			
A(mm)	C (mm)	D (mm)	Kalite / Quality
60	55	M14x1.5	10.9
Org. No	31796200		
Pozisyon/ Position	Arka / Rear		
Somun / Wheel Nut			
Model	ANAHTAR BAŞLI DİSK CİVATASI		

### APS-105



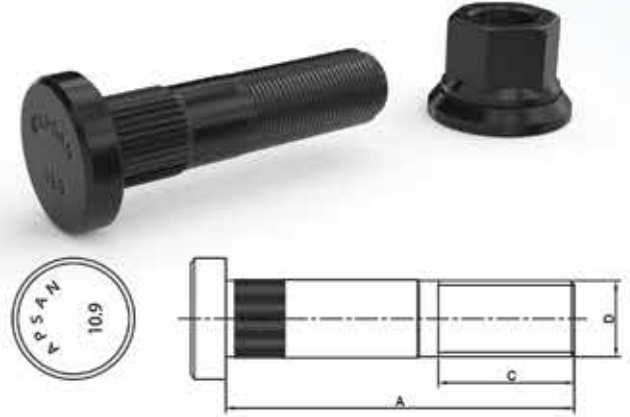
TEKNİK ÖZELLİKLER / TECHNICAL SPECIFICATION			
A(mm)	C (mm)	D (mm)	Kalite / Quality
75	18	M12x1.5	10.9
Org. No	3434366200		
Pozisyon/ Position			
Somun / Wheel Nut			
Model	DİSK CİVATASI / SAF		

### DRS-30302



TEKNİK ÖZELLİKLER / TECHNICAL SPECIFICATION			
A(mm)	C (mm)	D (mm)	Kalite / Quality
100	42	M22x1.5	10.9
Org. No			
Pozisyon/ Position	Arka / Rear		
Somun / Wheel Nut	SOM-0141		
Model	EFE		

### DRS-30301



TEKNİK ÖZELLİKLER / TECHNICAL SPECIFICATION			
A(mm)	C (mm)	D (mm)	Kalite / Quality
90	42	M22x1.5	10.9
Org. No			
Pozisyon/ Position	Arka / Rear		
Somun / Wheel Nut	SOM-0141		
Model	YTE		

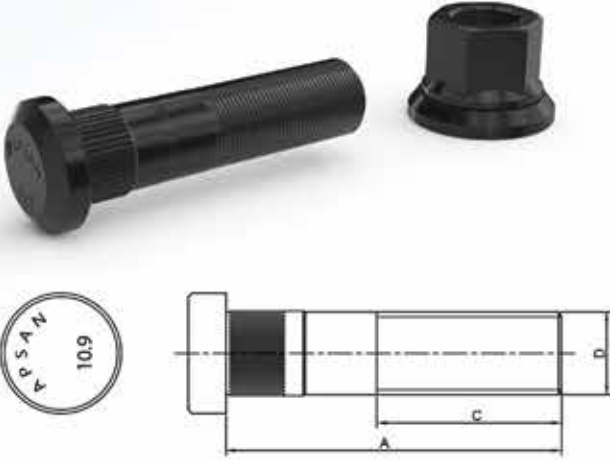
### DRS-30303



TEKNİK ÖZELLİKLER / TECHNICAL SPECIFICATION			
A(mm)	C (mm)	D (mm)	Kalite / Quality
100	39	M22x1.5	10.9
Org. No			
Pozisyon/ Position	Arka / Rear		
Somun / Wheel Nut	SOM-0141		
Model	EFE		

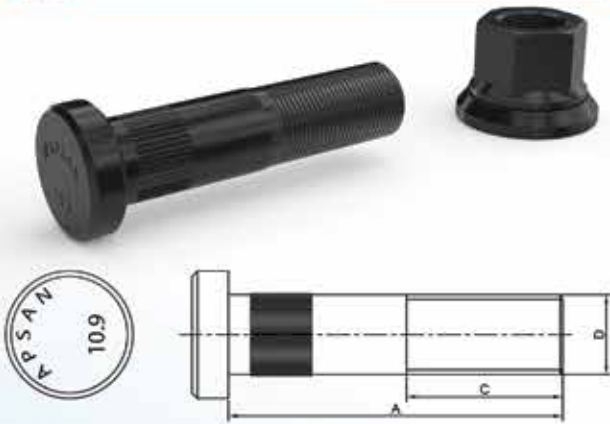
www.apsanbijon.com.tr

DNF-10101



TEKNİK ÖZELLİKLER / TECHNICAL SPECIFICATION			
A(mm)	C (mm)	D (mm)	Kalite / Quality
89	49	M22x1.5	10.9
Org. No	31796200		
Pozisyon/ Position	Arka / Rear		
Somun / Wheel Nut	SOM-0141		
Model	DONG FENG ÖN		

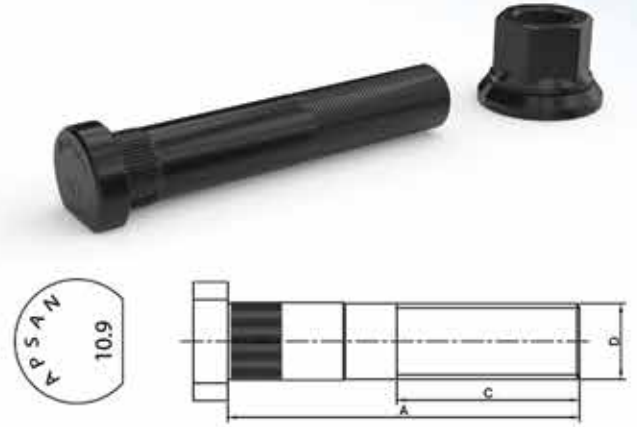
CBR-85110



TEKNİK ÖZELLİKLER / TECHNICAL SPECIFICATION			
A(mm)	C (mm)	D (mm)	Kalite / Quality
102	48	M22x1.5	10.9
Org. No			
Pozisyon/ Position	Arka / Rear		
Somun / Wheel Nut	SOM-0141		
Model			

DONG FENG - COBRA

DNF-10102



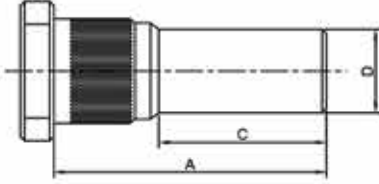
TEKNİK ÖZELLİKLER / TECHNICAL SPECIFICATION			
A(mm)	C (mm)	D (mm)	Kalite / Quality
102	53	M22x1.5	10.9
Org. No			
Pozisyon/ Position	Arka / Rear		
Somun / Wheel Nut	SOM-0141		
Model	DONG FENG ARKA UZUN		

CBR-85111



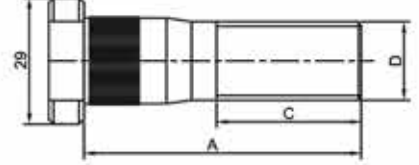
TEKNİK ÖZELLİKLER / TECHNICAL SPECIFICATION			
A(mm)	C (mm)	D (mm)	Kalite / Quality
92	43	M22x1.5	10.9
Org. No			
Pozisyon/ Position	Arka / Rear		
Somun / Wheel Nut	SOM-0141		
Model			

### TRM-0215



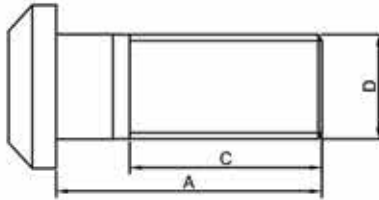
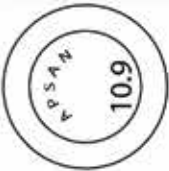
TEKNİK ÖZELLİKLER / TECHNICAL SPECIFICATION			
A(mm)	C (mm)	D (mm)	Kalite / Quality
65	40	M20x1.5	10.9
Org. No		31796200	
Poziyon/ Position			
Somun / Wheel Nut			
Model		HEMA	

### TRM-0216



TEKNİK ÖZELLİKLER / TECHNICAL SPECIFICATION			
A(mm)	C (mm)	D (mm)	Kalite / Quality
60	33	M18x1.5	10.9
Org. No			
Poziyon/ Position			
Somun / Wheel Nut			
Model		HEMA	

### TRM-0115

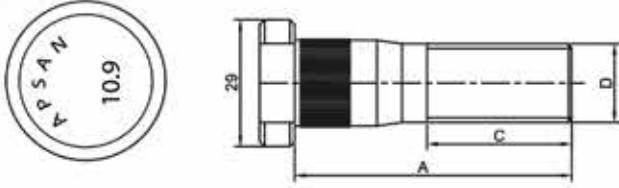


TEKNİK ÖZELLİKLER / TECHNICAL SPECIFICATION				
A(mm)	ØB (mm)	C (mm)	D (mm)	Kalite / Quality
56.5		40.5	W3/4"x16	10.9
Org. No		31796200		
Poziyon/ Position				
Somun / Wheel Nut		SOM-0310		
Model		RÖMÖRK BİJONU		

www.apsanbjon.com.tr

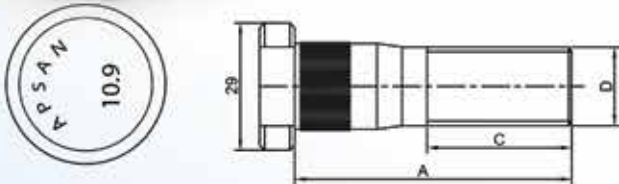
# APSAN

## DRS-30190



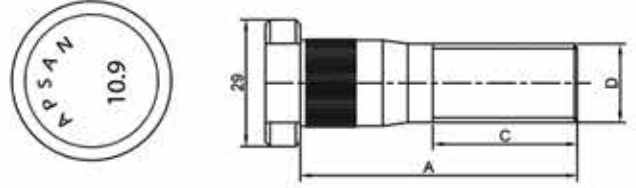
TEKNİK ÖZELLİKLER / TECHNICAL SPECIFICATION			
A(mm)	C (mm)	D (mm)	Kalite / Quality
76	33	M22x1.5	10.9
Org. No	A20630 / M003133		
Poziyon/ Position			
Somun / Wheel Nut	SOM-0140		
Model			

## DRS-30192



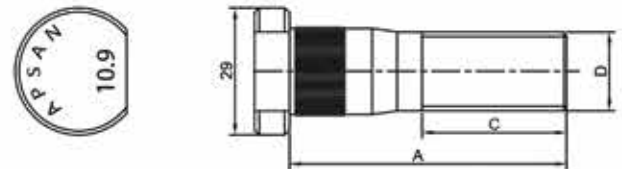
TEKNİK ÖZELLİKLER / TECHNICAL SPECIFICATION			
A(mm)	C (mm)	D (mm)	Kalite / Quality
106	39	M22x1.5	10.9
Org. No	A-FA0230		
Poziyon/ Position			
Somun / Wheel Nut	SOM-0141		
Model			

## DRS-30191



TEKNİK ÖZELLİKLER / TECHNICAL SPECIFICATION			
A(mm)	C (mm)	D (mm)	Kalite / Quality
90	39	M22x1.5	10.9
Org. No	A15613 / M006891		
Poziyon/ Position			
Somun / Wheel Nut	SOM-0141		
Model			

## DRS-30193



TEKNİK ÖZELLİKLER / TECHNICAL SPECIFICATION			
A(mm)	C (mm)	D (mm)	Kalite / Quality
74	38	M22x1.5	10.9
Org. No	M003133		
Poziyon/ Position			
Somun / Wheel Nut	SOM-0141		
Model			

**///APSAN**



insurance of your life

SOM-0115



TEKNİK ÖZELLİKLER / TECHNICAL SPECIFICATION		
ORG.		
AA	H	D
19SW	20	M14x1.5
MODEL		

SOM-0120



TEKNİK ÖZELLİKLER / TECHNICAL SPECIFICATION		
ORG.	025219.1810 / 81.45503.0029 / 504356518	
AA	H	D
27SW	25	M18x1.5
MODEL	MAN 12-153, OTOKAR, DAİLY,RENAULT	

SOM-0130



TEKNİK ÖZELLİKLER / TECHNICAL SPECIFICATION		
ORG.		
AA	H	D
27SW	26	M20x1.5
MODEL	ATEGO,12-153	

SOM-0131



TEKNİK ÖZELLİKLER / TECHNICAL SPECIFICATION		
ORG.	0252192010 / 504071276 / 81455030030	
AA	H	D
30SW	26	M20x1.5
MODEL	EUROBUS, RENAULT	

SOM-0139



TEKNİK ÖZELLİKLER / TECHNICAL SPECIFICATION		
ORG.	7421303956/21303956/ 5000788677	
AA	H	D
33SW	32	M22x1.5
MODEL	DÖNER PULLU SOMUN	

SOM-0140



TEKNİK ÖZELLİKLER / TECHNICAL SPECIFICATION		
ORG.	041036367 / 81.45503.0026/ 385 400 01 24 / 02.5219.22.10/ 4 247 3012 00/0620 652/21203099	
AA	H	D
32SW	27	M22x1.5
MODEL	DÖNER PULLU SOMUN	

SOM-0141



TEKNİK ÖZELLİKLER / TECHNICAL SPECIFICATION		
ORG.	02.5219.23.10 / 1826 088 / 8.241.999.726 / 21218643	
AA	H	D
32SW	32	M22x1.5
MODEL	DÖNER PULLU SOMUN	

SOM-0143



TEKNİK ÖZELLİKLER / TECHNICAL SPECIFICATION		
ORG.		
AA	H	D
32SW	36	M22x1.5
MODEL	FATİH PROF. D.PULLU SOMUN	

SOM-0144



TEKNİK ÖZELLİKLER / TECHNICAL SPECIFICATION		
ORG.	0004011372 / 041032670 / 02.5219.33.10 / 1263 487 / 81.45503.0057	
AA	H	D
32SW	39	M22x1.5
MODEL	ALUMINIUM RIM NUT	



SOM-0145



TEKNİK ÖZELLİKLER / TECHNICAL SPECIFICATION		
ORG.	0252193410 / 1263488 / 0004011072 / 81455030055	
AA	H	D
32SW	62	M22x1.5
MODEL	ALUMINIUM RIM NUT	

SOM-0146



TEKNİK ÖZELLİKLER / TECHNICAL SPECIFICATION		
ORG.	20552688	
AA	H	D
33SW	39	M22x1.5
MODEL	ALUMINIUM RIM NUT	

SOM-0150



TEKNİK ÖZELLİKLER / TECHNICAL SPECIFICATION		
ORG.		
AA	H	D
32SW	32	M22x2
MODEL	DÖNER PULLU SOMUN	

SOM-0160



TEKNİK ÖZELLİKLER / TECHNICAL SPECIFICATION		
ORG.		
AA	H	D
32SW	36	M24x1.5
MODEL	FATİH PROF. D.PULLU SOMUN	

SOM-0162



TEKNİK ÖZELLİKLER / TECHNICAL SPECIFICATION		
ORG.		
AA	H	D
36SW	36	M24x2
MODEL	DÖNER PULLU SOMUN	

SOM-0169



TEKNİK ÖZELLİKLER / TECHNICAL SPECIFICATION		
ORG.	0243955	
AA	H	D
33SW	27	7/8"-11BSF
MODEL	DÖNER PULLU SOMUN	

SOM-0170



TEKNİK ÖZELLİKLER / TECHNICAL SPECIFICATION		
ORG.		
AA	H	D
32SW	32	7/8"-11BSF
MODEL	DÖNER PULLU SOMUN	

SOM-0171



TEKNİK ÖZELLİKLER / TECHNICAL SPECIFICATION		
ORG.		
AA	H	D
32SW	39	7/8"-11BSF
MODEL	SCANIA ALUMINIUM RIM NUT	

SOM-0172



TEKNİK ÖZELLİKLER / TECHNICAL SPECIFICATION		
ORG.		
AA	H	D
32SW	62	7/8"-11BSF
MODEL	SCANIA ALUMINIUM RIM NUT	

SOM-0179



TEKNİK ÖZELLİKLER / TECHNICAL SPECIFICATION		
ORG.	1083894	
AA	H	D
33SW	34	7/8"-14UNF
MODEL	VOLVO WHEEL NUT	

SOM-0180



TEKNİK ÖZELLİKLER / TECHNICAL SPECIFICATION		
ORG.		
AA	H	D
33SW	34	7/8"-14UNF
MODEL	VOLVO WHEEL NUT	

SOM-0181



TEKNİK ÖZELLİKLER / TECHNICAL SPECIFICATION		
ORG.		
AA	H	D
33SW	39	7/8"-14UNF
MODEL	VOLVO FH ALUMINIUM RIM NUT	

SOM-0182



TEKNİK ÖZELLİKLER / TECHNICAL SPECIFICATION		
ORG.		
AA	H	D
33SW	62	7/8"-14UNF
MODEL	VOLVO FH ALUMINIUM RIM NUT	

SOM-0211



TEKNİK ÖZELLİKLER / TECHNICAL SPECIFICATION		
ORG.		
AA	H	D
28SW	29	3/4"-16UNF
MODEL	HİDROMEK, JCB	

SOM-0220



TEKNİK ÖZELLİKLER / TECHNICAL SPECIFICATION		
ORG.		
AA	H	D
27SW	28	M18x1,5
MODEL	IVECO, 50NC TAKVİYELİ SOMUN	

SOM-0230



TEKNİK ÖZELLİKLER / TECHNICAL SPECIFICATION		
ORG.	0252141410	
AA	H	D
27SW	27	M20x1,5
MODEL	MERCEDES	

SOM-0240



TEKNİK ÖZELLİKLER / TECHNICAL SPECIFICATION		
ORG.		
AA	H	D
32SW	32	M22x1,5
MODEL	KISA TAKVİYELİ SOMUN	

SOM-0241



TEKNİK ÖZELLİKLER / TECHNICAL SPECIFICATION		
ORG.		
AA	H	D
30SW	32	M22x1,5
MODEL	KISA TAKVİYELİ SOMUN	

SOM-0242



TEKNİK ÖZELLİKLER / TECHNICAL SPECIFICATION			
ORG.			
AA	H	D	
32SW	40	M22x1,5	
MODEL	TAKVİYELİ SOMUN		

SOM-0250



TEKNİK ÖZELLİKLER / TECHNICAL SPECIFICATION			
ORG.			
AA	H	D	
32SW	40	M22x2	
MODEL	TAKVİYELİ SOMUN		

SOM-0270-R-L



TEKNİK ÖZELLİKLER / TECHNICAL SPECIFICATION			
ORG.			
AA	H	D	
32SW	32	7/8"-14UNF	
MODEL	TAKVİYELİ SOMUN		

SOM-0271-R-L



TEKNİK ÖZELLİKLER / TECHNICAL SPECIFICATION			
ORG.			
AA	H	D	
32SW	40	7/8"-14UNF	
MODEL	TAKVİYELİ SOMUN		

SOM-0320



TEKNİK ÖZELLİKLER / TECHNICAL SPECIFICATION			
ORG.	074361018205 / 06112220213		
AA	H	D	
24sW	24	M18x1,5	
MODEL	MAGIRUS,MB800		

SOM-0321



TEKNİK ÖZELLİKLER / TECHNICAL SPECIFICATION			
ORG.			
AA	H	D	
27SW	24	M18x1,5	
MODEL	IVECO,50NC		

SOM-0322



TEKNİK ÖZELLİKLER / TECHNICAL SPECIFICATION			
ORG.	659115300 / 0265447 / 0009901450/		
AA	H	D	
27SW	26	M18x2	
MODEL	MAN İSPİT		

SOM-0330



TEKNİK ÖZELLİKLER / TECHNICAL SPECIFICATION			
ORG.	074361020205 / 06112220215/ 001121798		
AA	H	D	
27SW	24	M20x1,5	
MODEL	MERCEDES		

SOM-0331-0332



TEKNİK ÖZELLİKLER / TECHNICAL SPECIFICATION			
ORG.			
AA	H	D	
30SW	27	M20x1,5	
MODEL	HİNO,KOMATSU		

SOM-0333



TEKNİK ÖZELLİKLER / TECHNICAL SPECIFICATION			
ORG.	659115304 / 3464015072 / 0612220416		
AA	H	D	
27SW	26	M20x2	
MODEL	VOLVO İSPİT		

SOM-0334



TEKNİK ÖZELLİKLER / TECHNICAL SPECIFICATION			
ORG.			
AA	H	D	
30SW	26	M20x2	
MODEL	VOLVO İSPİT		

SOM-0340



TEKNİK ÖZELLİKLER / TECHNICAL SPECIFICATION			
ORG.	074361022203		
AA	H	D	
27SW	26	M22x1,5	
MODEL	MERCEDES		

SOM-0341



TEKNİK ÖZELLİKLER / TECHNICAL SPECIFICATION			
ORG.	074361022205 / 06112220218		
AA	H	D	
30SW	24	M22X1,5	
MODEL	MAN,MERCEDES		

SOM-0342



TEKNİK ÖZELLİKLER / TECHNICAL SPECIFICATION			
ORG.			
AA	H	D	
30SW	27	M22X1,5	
MODEL	MAN,MERCEDES		

SOM-0450



TEKNİK ÖZELLİKLER / TECHNICAL SPECIFICATION			
ORG.	0326004100		
AA	H	D	
32SW	17	M22X1,5	
MODEL	SAF		

SOM-0451



TEKNİK ÖZELLİKLER / TECHNICAL SPECIFICATION			
ORG.			
AA	H	D	
32SW	17	M22X2	
MODEL	BPW		

SOM-0452



TEKNİK ÖZELLİKLER / TECHNICAL SPECIFICATION			
ORG.			
AA	H	D	
32SW	22	M22X2	
MODEL	BPW		

SOM-0455



TEKNİK ÖZELLİKLER / TECHNICAL SPECIFICATION			
ORG.			
AA	H	D	
38SW	22	M22X2	
MODEL	DAF		

SOM-0460



TEKNİK ÖZELLİKLER / TECHNICAL SPECIFICATION			
ORG.			
AA	H	D	
36SW	17	M22x1,5	
MODEL	MARATON		

ISB-AB02-R-L / ISB-AB03-R-L



TEKNİK ÖZELLİKLER / TECHNICAL SPECIFICATION			
ORG.			
AA	H	D	
23SW	22	M14X1,5	
MODEL	ISUZU NKR		

ISB-AB04-R-L



TEKNİK ÖZELLİKLER / TECHNICAL SPECIFICATION			
ORG.			
AA	H	D	
35SW	22	M16X1,5	
MODEL	ISUZU NKR55		

ISB-AB11-R-L



TEKNİK ÖZELLİKLER / TECHNICAL SPECIFICATION			
ORG.			
AA	H	D	
36SW	17	M25X1,5	
MODEL	ISUZU NPR		

ISB-AB12-R-L



TEKNİK ÖZELLİKLER / TECHNICAL SPECIFICATION			
ORG.			
AA	H	D	
30SW	16	M18X1,5	
MODEL	ISUZU NPR		

ISB-AB15-R-L / ISB-AB21-R-L



TEKNİK ÖZELLİKLER / TECHNICAL SPECIFICATION			
ORG.			
AA	H	D	
41SW	25	M20X1,5	
MODEL	ISUZU,MITSUBISHI		

ISB-AB16-R-L



TEKNİK ÖZELLİKLER / TECHNICAL SPECIFICATION			
ORG.			
AA	H	D	
41SW	25	M25X1.5	
MODEL	ISUZU ŞAMPİYON		

ISB-AB17-R-L / ISB-AB23-R-L



TEKNİK ÖZELLİKLER / TECHNICAL SPECIFICATION			
ORG.			
AA	H	D	
32SW	17	M22X1.5	
MODEL	ISUZU		

ISB-AB22-R-L / ISB-AB43-R-L



TEKNİK ÖZELLİKLER / TECHNICAL SPECIFICATION			
ORG.			
AA	H	D	
41SW	28	M30X1.5	
MODEL	ISUZU,MITSUBISHI		

ISB-AB33-R-L



TEKNİK ÖZELLİKLER / TECHNICAL SPECIFICATION		
ORG.		
AA	H	D
41SW	25	M18x1.5
MODEL	ISUZU NLR ÖN / FRONT	

ISB-AB34-R-L



TEKNİK ÖZELLİKLER / TECHNICAL SPECIFICATION		
ORG.		
AA	H	D
41SW	25	M27x1.5
MODEL	ISUZU NLR ARKA / REAR	

ISB-AB35-R-L



TEKNİK ÖZELLİKLER / TECHNICAL SPECIFICATION		
ORG.		
AA	H	D
19SW	61	M18X1.5 M27x1.5
MODEL	ISUZU NLR	

ISB-AB38-R/ISB-AB45-R/



TEKNİK ÖZELLİKLER / TECHNICAL SPECIFICATION		
ORG.		
AA	H	D
21SW	64	M20X1.5 M30x1,5
MODEL	ISUZU,MITSUBISHI	

ISB-AB42-R-L / MIT-AB29-R-L



TEKNİK ÖZELLİKLER / TECHNICAL SPECIFICATION		
ORG.		
AA	H	D
41SW	25	M20X1.5
MODEL	ISUZU,MITSUBISHI	

ISB-AB44-R-L



TEKNİK ÖZELLİKLER / TECHNICAL SPECIFICATION		
ORG.		
AA	H	D
32SW	17	M22X1.5
MODEL	ISUZU	

MIT-AB14-R-L



TEKNİK ÖZELLİKLER / TECHNICAL SPECIFICATION		
ORG.		
AA	H	D
26SW	21	M16X1.5
MODEL	MITSUBISHI / 304 / 515	

MIT-AB19-R-L / MIT-AB44-R-L



TEKNİK ÖZELLİKLER / TECHNICAL SPECIFICATION		
ORG.		
AA	H	D
20SW	55	M19X1.5 M28x1.5
MODEL	444-635-839-711 FUSO	

MIT-AB21-R-L / MIT-AB41-R-L



TEKNİK ÖZELLİKLER / TECHNICAL SPECIFICATION		
ORG.		
AA	H	D
38SW	25	M19x1.5
MODEL	444-635-839-711 FUSO	

MIT-AB22-R-L / MIT-AB42-R-L



TEKNİK ÖZELLİKLER / TECHNICAL SPECIFICATION		
ORG.		
AA	H	D
38SW	25	M28x1.5
MODEL	444-635-839-711 FUSO	

MIT-AB23 / MIT-AB43



TEKNİK ÖZELLİKLER / TECHNICAL SPECIFICATION		
ORG.		
AA	H	D
27SW	19	3/4"-16UNF
MODEL	MITSUBISHI	

MIT-AB27-R-L



TEKNİK ÖZELLİKLER / TECHNICAL SPECIFICATION		
ORG.		
AA	H	D
21SW	64	M20X1.5 M30x1.5
MODEL	ISUZU,MITSUBISHI	

MIT-AB30-R-L



TEKNİK ÖZELLİKLER / TECHNICAL SPECIFICATION		
ORG.		
AA	H	D
41SW	28	M30X1.5
MODEL	ISUZU,MITSUBISHI	

MIT-AB31



TEKNİK ÖZELLİKLER / TECHNICAL SPECIFICATION		
ORG.		
AA	H	D
27SW	19	3/4"-16UNF
MODEL	MITSUBISHI	

## NOTLAR / NOTES

This section contains a series of horizontal dashed lines, intended for writing notes. The lines are evenly spaced and extend across the width of the page, providing a guide for handwriting.



**NOTLAR / NOTES**

A series of horizontal lines for writing notes, consisting of solid top and bottom lines with a dotted midline, repeated down the page.

## NOTLAR / NOTES

A series of horizontal lines for writing notes, consisting of solid top and bottom lines with a dotted midline, repeated down the page.

 APSAN



insurance of your life

# APSAN BIJON

insurance of your life



techonolgy at work



Adres : BÜSAN 3 Özel Organize Sanayi Fevzi Çakmak Mah. 10651 Sokak No:13 KARATAY / KONYA

Telefon: +90 332 345 15 89-90 Fax: +90 332 345 15 24

info@apsanbijon.com

[www.apsanbijon.com](http://www.apsanbijon.com)

insurance of your life